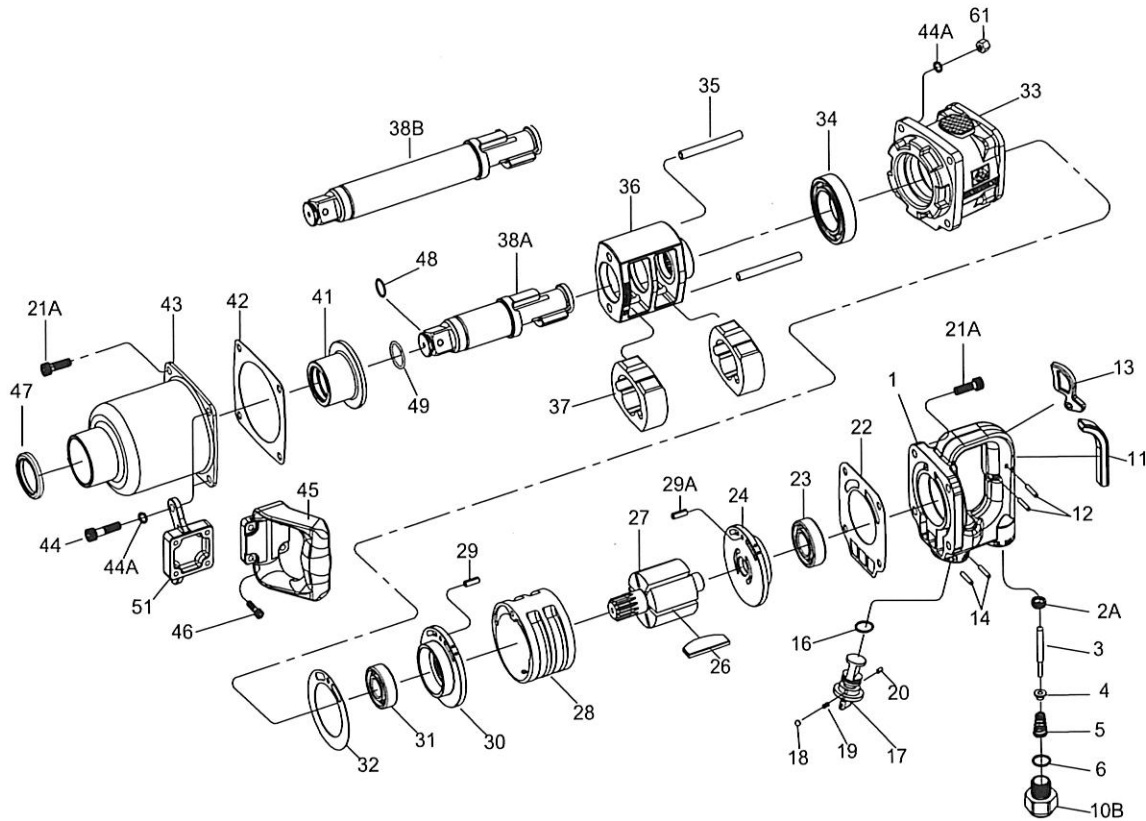


1" DR. IMPACT WRENCH



NO.33831-180
33832-180



INDEX NO.	KT No.	DESCRIPTION	REQ'D NO.	INDEX NO.	KT No.	DESCRIPTION	REQ'D NO.
★ 1	033812-A01	Backhead Assembly (incl. 2A)	1	32	033812-A32	Gasket	1
2A	033812-A02A	Throttle Valve Seat	1	★ 33	033832-C33	Housing Assembly	1
3	033812-A03	Throttle Valve Stem	1	34	033832-C34	Bearing	1
4	033812-A04	Throttle Valve	1	35	033832-C35	Hammer Pin	2
5	033812-A05	Spring	1	36	033832-C36	Hammer Frame	1
6	033812-A06	O-Ring	1	37	033832-C37	Hammer	2
10B	033812-A10B	Air Inlet	1	● 38A	033832-C38A	Standard Anvil (for 33831-180)	1
11	033812-A11	Rubber Cap	1	● 38B	033832-C38B	6" Extended Anvil (for 33832-180)	1
12	033812-A12	Pin	2	41	033832-C41	Bushing	1
13	033812-A13	Trigger	1	42	033832-C42	Gasket	1
14	033812-A14	Pin	2	43	033832-C43	Hammer Case	1
16	033812-A06	O-Ring	1	44	033812-A44	Screw	2
17	033812-A17	Reverse Valve	1	44A	033812-A44A	Washer	6
18	033812-A18	Steel Ball	1	45	033812-A45	Side Spade Handle	1
19	033411-A14	Spring	1	46	033621-B04	Screw	4
20	033812-A20	Pin	1	47	033812-A47	Oil Seal	1
21A	033812-A21A	Screw	6	48	033812-A48	O-Ring	1
22	033812-A22	Gasket	1	49	033812-A49	Socket Retainer	1
● 23	033812-A23	Bearing	1	51	033832-C51	Support Handle	1
★ 24	033812-A24	End Plate Assembly (incl. 23)	1	61	033812-A61	Nut	4
26	033812-A26	Rotor Blade	6	TK-01	033812-ATK1	End Plate Assembly (incl. 23.24.29A)	
27	033812-A27	Rotor	1	TK-02	033812-ATK2	End Plate Assembly (incl. 29.30.31)	
28	033812-A28	Cylinder	1	TK-03	033832-CTK3	Standard Anvil Assembly (incl. 38A.48.49)	
29	033812-A29	Pin	1	TK-04	033832-CTK4	6" Extended Anvil Assembly (incl. 38B.48.49)	
29A	033812-A29A	Pin	1	TK-05	033832-CTK5	Hammer Case Assembly (incl. 41.43.47)	
★ 30	033812-A30	End Plate Assembly (incl. 31)	1	TK	033832-CTK	Tune-Up Kit (incl. 5.6.16.18.19.22.26 (6) .32.42.48.49)	
● 31	033812-A31	Bearing	1				

★ Must be purchased in assembly set

20131206R6

● Recommended not to be purchased alone due to assembly difficulty

Air Pressure : 6.2 Bar (90 PSI)

Inspec. Item No.	Square drive		Std. Bolt Size		Free Speed R.P.M	MAX. Torque		Overall Length		Air Inlet BSPT/NPT	Air Hose ID	Avg. Air Consumption		Net Weight		Sound Pressure Level A-weighted	Sound Power Level A-weighted	Sound Pressure Valve Peak C-weighted	Vib. M/S2
	inch	mm	inch	mm		inch	mm	cfm	l/min			lbs	kgs						
33831-180	1	1-1/2	M38	4000	1800	2440	14-19/32	371	1/2" BSPT	3/4	9.0	255	25.35	11.50	102.11	113.10	103.00	8.84	
33832-180	1	1-1/2	M38	4000	1800	2440	20-19/32	523	1/2" BSPT	3/4	9.0	255	27.56	12.50	103.99	114.99	105.00	6.60	

