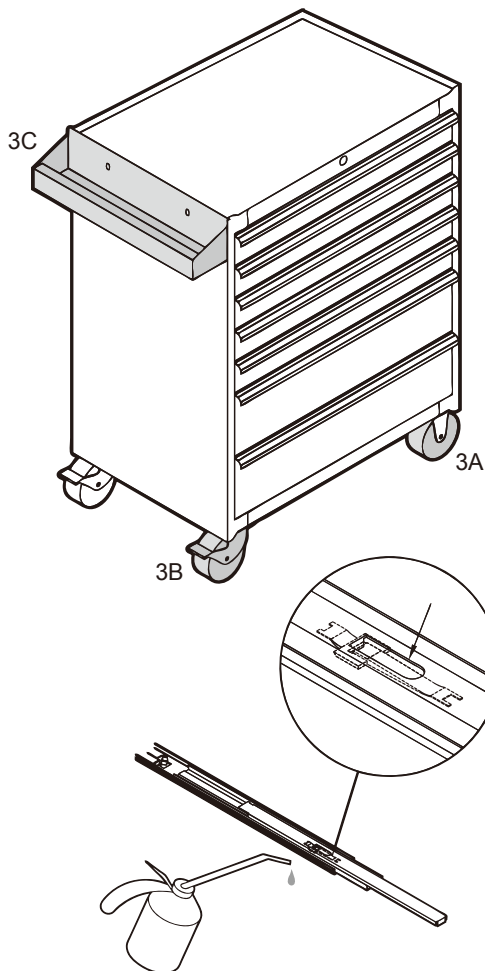
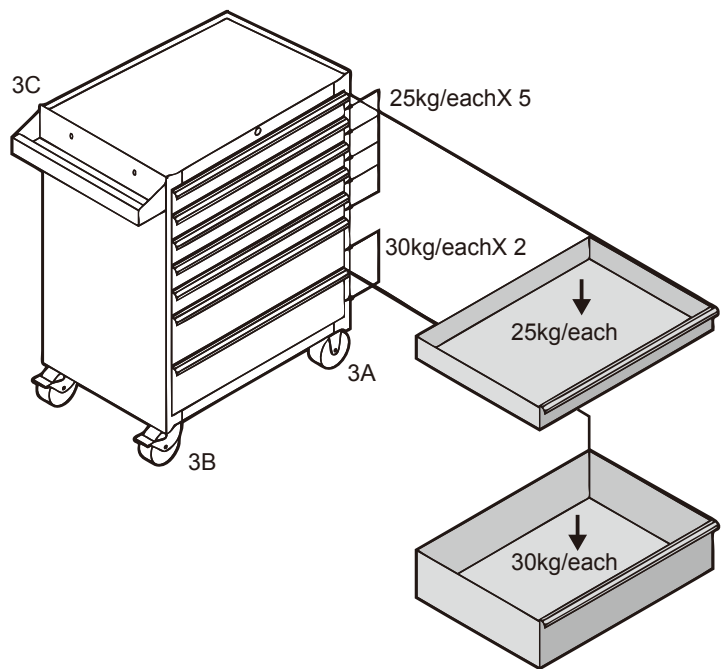


TOOL STORAGE



Enjoy your work

Loading Capacity



Please read these instructions carefully

Roller Cabinets

The roller cabinets feature a rotating cam lock mechanism controlled by a key. When locked, hooks engage in each drawer to prevent them from being opened. When unlocked, the hooks disengage, allowing the drawers to be opened. If the cabinet is locked while the drawers are still open, simply close the drawers to lock them.

Casters and Side Tray:

Use the included screws to attach the two heavy-duty fixed casters (3A) and two heavy-duty swivel caster with brakes (3B) as shown in the diagram. The side handle / tool tray (3C) must be attached to the same side as the swivel casters.

Removal / Re-installation of Drawers:

- To remove, pull drawer fully open. Push in the plastic tabs (4) on both sides to release drawer from the slides. Pull the drawer out.
- To re-install, line up the drawer slides, engage, and close the drawer completely.

Lubrication

To ensure smooth operation of the slides, lubricate them periodically with a light grease or petroleum jelly. Do this at least twice a year or more, depending on the frequency of use.