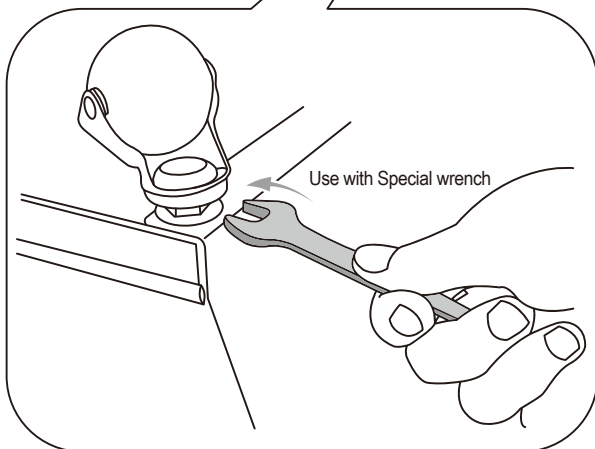
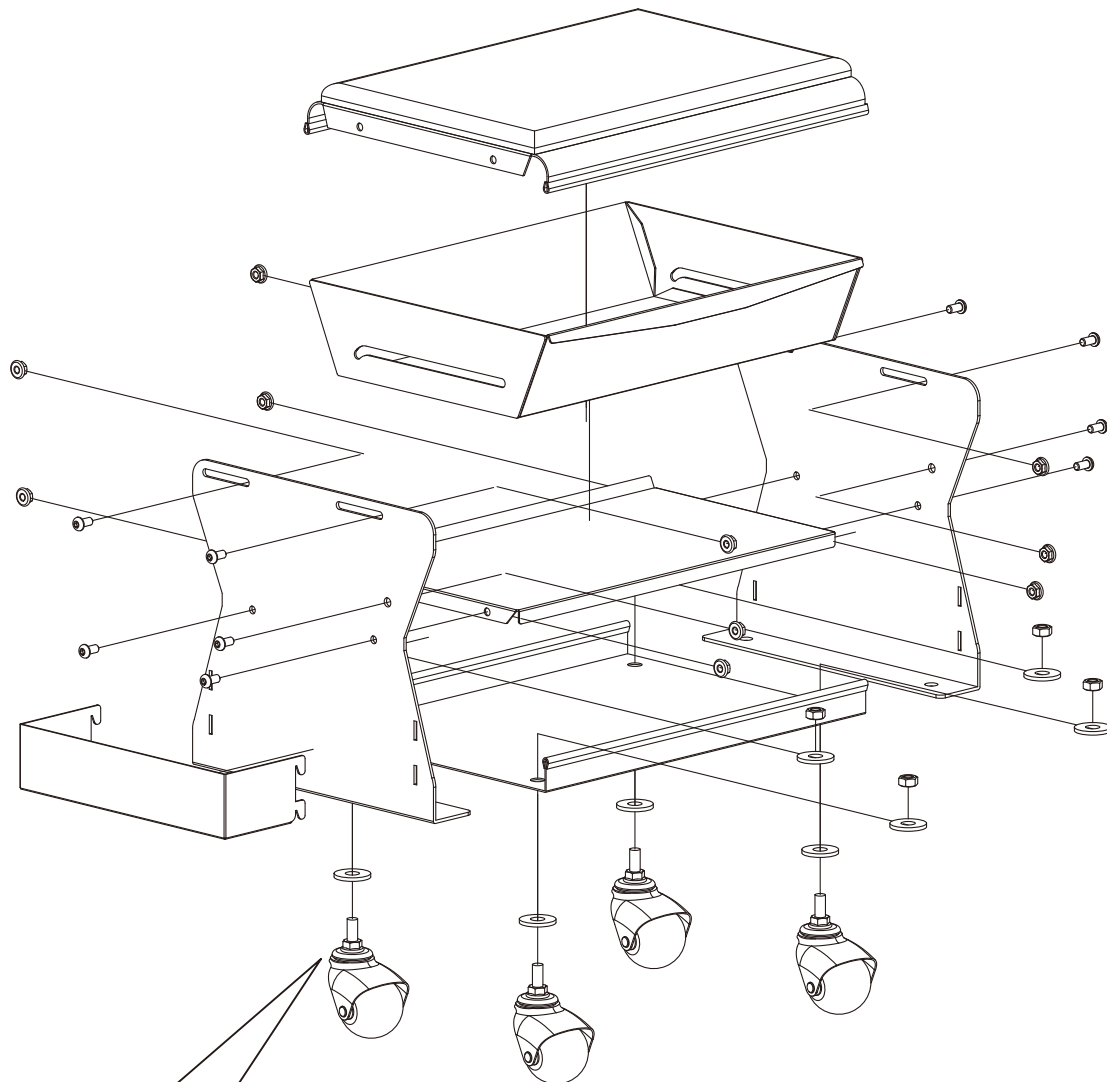


MOBILE WORK CHAIR



Material: PVC leather + Foam cushion + Finishing Powder coating steel
Two Open Storage Areas

NO.87452-A-B
87452-B-B
87452-C-B



Mobile work chair

- Material: Advanced PVC leather + Foam + Advanced powder coating forming seat.
- Product Dimensions: length 350 x width 260 x height 240 (in mm)
- Seat Size: L 330 x W 225. • Seat height: 15 mm.
- Product attributes: Simple DIY assembly, you can easily complete the portfolio.

Packing:

- PVC cushion x 1
- M6 screws (male / female) x 8 SET
- M6 special screws (male / female) x 2 SET partition (in) x 1
- Drawer x 1
- Glove board (under) x 1
- Bottle rack (optional) x 1
- Tires x 4
- Special wrench 14mm x 1

⚠ ATTENTION

- Don't standing on the seat cushion.
- Don't lie on the cushion.
- This product is paint products, please do not near the fire source.
- Please refer to the manual to assemble products.
- Operation is limited to adults.

