

# GERNERAL SAFETY RULES

## GERNERAL POWER TOOL SAFETY WARNINGS

 **WARNING:** Read all safety warnings and instructions!

Failure to follow the warnings and instructions may result in electric shock, fire and / or serious injury.

Save all warnings and instructions for future reference.

The term “power tool” in the warnings refers to your mains-operated (corded) power tool or battery-operated (cordless) power tool.

4. Do not abuse the cord. Never use the cord for carrying, pulling or unplugging the power tool. Keep the cord away from heat, oil, sharp edges or moving parts. Damaged or entangled cords increase the risk of electric shock.

5. When operating a power tool outdoors, use an extension cord suitable for outdoor use. Use of a cord suitable for outdoor use reduces the risk of electric shock.

6. If operating a power tool in a damp location is unavoidable, use a ground-fault circuit interrupter (GFCI) protected supply. Use of a GFCI reduces the risk of electric shock.

## WORK AREA SAFETY

1. Keep the work area clean and well lit. Cluttered or dark areas invite accidents.

2. Do not operate power tools in explosive atmospheres, such as in the presence of flammable liquids, gases or dust. Power tools create sparks which may ignite the dust or fumes.

3. Keep children and bystanders away while operating a power tool. Distractions can cause you to lose control.

## ELECTRICAL SAFETY

1. Power tool plugs must match the outlet. Never modify the plug in any way. Do not use any adapter plugs with earthed (grounded) power tools. Unmodified plugs and matching outlets will reduce risk of electric shock.

2. Avoid body contact with earthed or grounded surfaces such as pipes, radiators, ranges and refrigerators. There is an increased risk of electric shock if your body is earthed or grounded.

3. Do not expose power tools to rain or wet conditions. Water entering a power tool will increase the risk of electric shock.

## PERSONAL SAFETY

1. Stay alert, watch what you are doing and use common sense when operating a power tool. Do not use the tool while tired or under the influence of drugs, alcohol, or medication. A moment of inattention while operating power tools may result in serious personal injury.

2. Use personal protective equipment. Always wear eye protection. Protective equipment such as a dust mask, non-skid safety shoes, hard hat, or hearing protection, used for appropriate conditions, will reduce personal injuries.

3. Prevent unintentional starting. Ensure that the switch is in the off-position before connecting to a power source and/or battery pack, picking up or carrying the tool. Carrying power tools with your finger on the switch or energizing power tools that have the switch on invites accidents.

4. Remove any adjusting key or wrench before turning the power tool on. A wrench or a key left attached to a rotating part of the power tool may result in personal injury.

5. Do not overreach. Keep proper footing and balance at all times. This enables better control of the power tool in unexpected situations.

## GERNERAL SAFETY RULES

6. **Dress properly.** Do not wear loose clothing or jewelry. Keep your hair, clothing and gloves away from moving parts. Loose clothes, jewelry or long hair can be caught in moving parts.

7. **If devices are provided for the connection of dust extraction and collection facilities, ensure that these are connected and properly used.** Use of these devices can reduce dust-related hazards.

7. **Use the power tool, accessories, tool bits, etc. in accordance with these instructions, taking into account the working conditions and the work to be performed.** Use of the power tool for operations different from those intended could result in a hazardous situation.

### BATTERY TOOL USE AND CARE

#### POWER TOOL USE AND CARE

1. **Do not force the power tool.** Use the correct power tool for your application. The correct power tool will do the job better and more safely at the rate for which it was designed.

2. **Do not use the power tool if the switch does not turn it on and off.** Any power tool that cannot be controlled with the switch is dangerous and must be repaired.

3. **Disconnect the plug from the power source and/or the battery pack from the power tool before making any adjustments, changing accessories, or storing power tools.** Such preventive safety measures reduce the risk of starting the power tool accidentally.

4. **Store idle power tools out of the reach of children and do not allow persons unfamiliar with the power tool or these instructions to operate the power tool.** Power tools are dangerous in the hands of untrained users.

5. **Maintain power tools.** Check for misalignment or binding of moving parts, breakage of parts and any other condition that may affect the power tool's operation. If damaged, have the power tool repaired before use. Many accidents are caused by poorly maintained power tools.

6. **Keep cutting tools sharp and clean.** Properly maintained cutting tools with sharp cutting edges are less likely to bind and are easier to control.

1. **Recharge only with the charger specified by the manufacturer.** A charger that is suitable for one type of battery pack may create a risk of fire when used with another battery pack.

2. **Use power tools only with specifically designated battery packs.** Use of any other battery packs may create a risk of injury and fire.

3. **When battery pack is not in use, keep it away from other metal objects, like paper clips, coins, keys, nails, screws or other small metal objects that can make a connection from one terminal to another.** Shorting the battery terminals together may cause burns or a fire.


4. **Under abusive conditions, liquid may be ejected from the battery; avoid contact.** If contact accidentally occurs, flush with water. If liquid contacts eyes, additionally seek medical help. Liquid ejected from the battery may cause irritation or burns.

### SERVICE

1. **Have your power tool serviced by a qualified repair person using only identical replacement parts.** This will ensure that the safety of the power tool is maintained.

# SAFETY INSTRUCTIONS

The purpose of safety symbols is to attract your attention to possible dangers. The safety symbols and the explanations with them deserve your careful attention and understanding. The symbol warnings do not, by themselves, eliminate any danger. The instructions and warnings they give are no substitutes for proper accident prevention measures.

 **WARNING:** Be sure to read and understand all safety instructions in this manual, including all safety alert symbols such as “DANGER,” “WARNING,” and “CAUTION” before using this tool. Failure to following all instructions listed below may result in electric shock, fire, and/or serious personal injury.

---

## SYMBOL MEANING



**SAFETY ALERT SYMBOL:** Indicates DANGER, WARNING, OR CAUTION. May be used in conjunction with other symbols or pictographs.



**DANGER:** Indicates an imminently hazardous situation, which, if not avoided, will result in death or serious injury.



**WARNING:** Indicates a potentially hazardous situation, which, if not avoided, could result in death or serious injury.






**CAUTION:** Indicates a potentially hazardous situation, which, if not avoided, could result in minor or moderate injury.

**NOTICE:** (Without Safety Alert Symbol) Indicates a situation that may result in property damage.

**SAVE THESE INSTRUCTIONS!**

## SAFETY SYMBOLS

Some of these following symbols may be used on this tool. Please study them and learn their meaning. Proper interpretation of these symbols will allow you to operate the tool better and more safely.

Symbol	Name	Designation / Explanation
V	Volts	Voltage
A	Amperes	Current
Hz	Hertz	Frequency (cycles per second)
W	Watts	Power
~	Alternating current	Type of current
—	Direct current	Type or characteristic of current
$n_0$	No-load speed	Rotational speed at no load
lbs	Pounds	Weight
	Class II construction	Double insulated construction
.../min	Per minute	Revolutions, strokes, surface speed orbits, etc., per minute
	Wear safety goggles	 <b>WARNING:</b> The operation of any power tool can result in foreign objects being thrown into your eyes, which can result in severe eye damage. Before beginning power tool operation, always wear safety goggles or safety glasses with side shields and a full-face shield when needed. We recommend a Wide Vision Safety Mask for use over eye-glasses or standard safety glasses with side shields. Always use eye protection which is marked to comply with ANSI Z87.1.

 **WARNING:** To ensure safety and reliability, all repairs should be performed by a qualified service technician.


# SPECIFIC SAFETY RULES

## SPECIFIC SAFETY RULES FOR IMPACT WRENCH

1. Hold power tool by insulated gripping surfaces, when performing an operation where the fastener may contact hidden wiring or its own cord. Fastener contacting a “live” wire may make exposed metal parts of the power tool “live” and could give the operator an electric shock.
2. Use only with the chargers and batteries listed below:

Battery pack	Charger
DB-1850	DC-18A

3. Always wear safety goggles and ear protection when using this tool.
4. Ensure the switch is in the off position before inserting battery pack. Inserting the battery pack into power tools that have the switch on invites accidents.
5. Check the impact socket carefully for wear, cracks or damage before installation.
6. Bit, sockets and tools get hot during operation. Wear gloves when touching them after use.
7. Remove the battery pack before changing accessories. Accidental starting may occur, because battery appliances with a battery inserted are in the operative condition.

 **WARNING:** Some dust created by power sanding, sawing, grinding, drilling and other construction activities contains chemicals known to cause cancer, birth defects or other reproductive harm. Some examples of these chemicals are:

- Lead from lead-based paints
- Crystalline silica from bricks and cement and other masonry products, and
- Arsenic and chromium from chemically-treated lumber.

Your risk from these exposures varies, depending on how often you do this type of work. To reduce your exposure to these chemicals: work in a well ventilated area, and work with approved safety equipment, such as those dust masks that are specially designed to filter out microscopic particles.

## SAFETY RULES FOR CHARGER

- 1) Before using battery charger, read all instructions and cautionary markings in this manual and on the battery charger, the battery and the product using the battery to prevent misuse of the products and possible injury or damage.

**⚠ CAUTION:** To reduce the risk of electric shock or damage to the charger and battery, charge only those lithium-ion rechargeable batteries as specifically designated on your charger's label. Other types of batteries may burst, causing personal injury or damage.

- 2) Do not use the charger outdoors or expose it to wet or damp conditions. Water entering the charger will increase the risk of electric shock.
- 3) Use of an attachment not recommended or sold by the battery-charger manufacturer may result in a risk of fire, electric shock or injury to persons.
- 4) Do not abuse the cord or charger. Never use the cord to carry the charger. Do not pull the charger cord to disconnect the plug from receptacle. Damage to the cord or charger could occur and create an electric shock hazard. Replace damaged cords immediately.
- 5) Make sure that the cord is located so that it will not be stepped on, tripped over, come in contact with sharp edges or moving parts, or otherwise subjected to damage or stress. This will reduce the risk of accidental falls, which could cause injury and damage to the cord, which could then result in electric shock.
- 6) Keep cord and charger from heat to prevent damage to housing or internal parts.
- 7) Do not allow gasoline, oils, petroleum-based products, etc. to come in contact with plastic parts. These materials contain chemicals that can damage, weaken, or destroy plastic.
- 8) An extension cord should not be used unless absolutely necessary. Use of an improper extension cord could result in a risk of fire and electric shock. If an extension cord must be used, make sure that:

The pins on plug of extension cord are the same number, size and shape as those of the plug on charger.

The cord is properly wired and in good electrical condition

The size is large enough for AC ampere rating of charger as specified below:

The Cord Length (Feet)	25' 50' 100'
Cord Size (AWG)	16

**NOTE:** AWG = American Wire Gauge

- 9) Do not operate the charger with a damaged cord or plug, which could cause shorting and electric shock. If damaged, have the charger repaired or replaced by an authorized service technician at **m7** Service Center.
- 10) Do not operate the charger if it has received a sharp blow, been dropped, or has otherwise been damaged in any way. Take it to an authorized service technician at **m7** Service Center for an electrical check to determine if the charger is in good working order.
- 11) Do not disassemble the charger. Take it to an authorized service technician at a **m7** Service Center when service or repair is required. Incorrect reassembly may result in a risk of electric shock or fire.
- 12) Unplug the charger from the electrical outlet before attempting any maintenance or cleaning to reduce the risk of electric shock.
- 13) Disconnect charger from the power supply when not in use. This will reduce the risk of electric shock or damage to the charger if metal items should fall into the opening. It will also help prevent damage to the charger during a power surge.
- 14) Risk of electric shock. Do not touch the uninsulated portion of output connector or uninsulated battery terminal.
- 15) Save these instructions. Refer to them frequently and use them to instruct others who may use this tool. If you lend this tool to someone else, also lend these instructions to them to prevent misuse of the product and possible injury.

**WARNING:** Some dust created by power Cutting contains chemicals known to cause cancer, birth defects or other reproductive harm. Some examples of these chemicals are:

■ lead from lead-based paints

■ Arsenics and chromium from chemically reacted lumber.

Your risk from these exposures varies, depending on how often you do this type of work. To reduce your exposure to these chemicals: work in a well ventilated area, and work with approved safety equipment

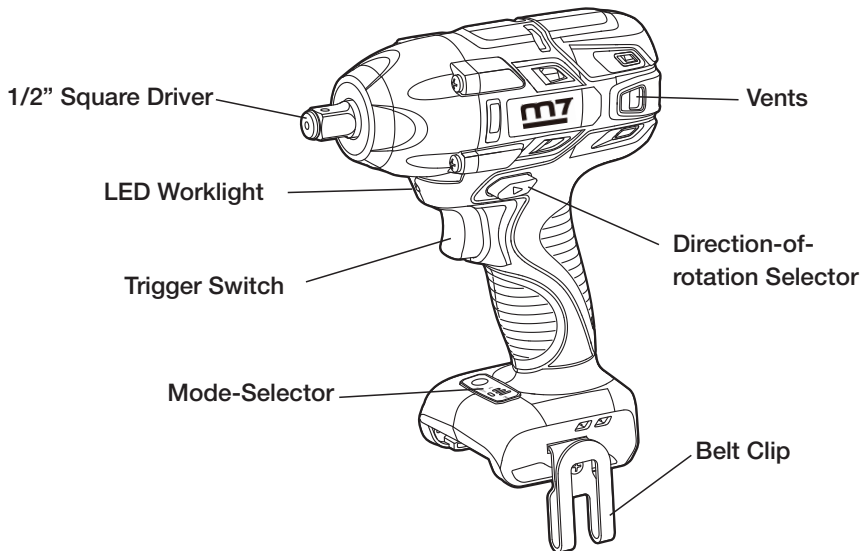
## FUNCTIONAL DESCRIPTION

### OPERATING CONTROL



The tool is intended for driving in and loosening bolts and nuts.

### 1. MAIN PARTS



## 2. TOOL SPECIFICATIONS

Model	DW-401
Square driver	1/2" (12.7mm)
Bolt capacity	M6 ~ M16
Battery	Li-ion
Max. torque	813 Nm / 600 ft-lb
Weight	1.48kg
Allowable temperature range (°C)	0-40

**NOTE:** Due to  continuing program of development, the specifications herein are subject of change without prior notice.

## SPECIFICATIONS

No-load Speed	I:0-1100 RPM II:0-1600 RPM III:0-2200 RPM
Impact Rate	I:0-1500 IPM II:0-2500 IPM III:0-3000 IPM
Torque	I: 200 ft.lb    271 Nm II: 400 ft.lb    542 Nm III: 600 ft.lb    813 Nm
Auto stop Torque	I: 80 ft.lb    108 Nm II: 120 ft.lb    163 Nm III: 160 ft.lb    217 Nm

### Sound Pressure (dBA)

Sound pressure (Uncertainty K = 3 dB(A))                      98 dBA






Sound power level (Uncertainty K = 3 dB(A))                      109 dBA

### Vibration level (m/s<sup>2</sup>)

(Uncertainty K = 1.5 m/s<sup>2</sup>)    18.2 m/s<sup>2</sup>



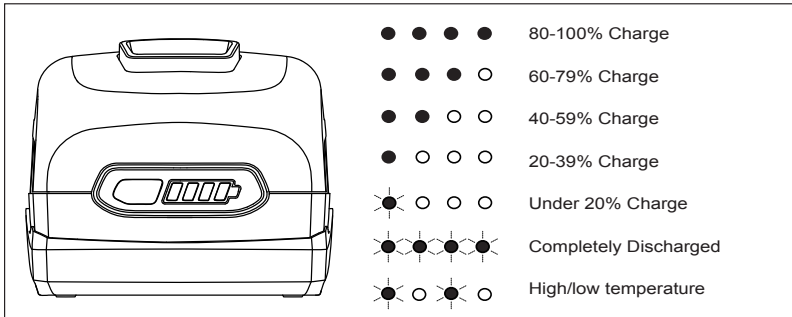
## 1. LED FUNCTIONS OF CHARGER

LED INDICATOR	BATTERY PACK	RED LED	GREEN LED	ACTION
HI/LO TEMP. (SEE MANUAL)	 Hot/Cold battery	On	Off	Charging will begin when battery returns to 0°C-40°C
 DEFECTIVE BATTERY	 Defective	Flashing	Off	Battery pack or Charger is defective
BATTERY CHARGING	 Charging	Off	Flashing	Charging
BATTERY FULL	 Fully charged	Off	On	Charging is complete Maintenance charging

## 2. POWER BAR

This Lithium-Ion battery pack is equipped with a POWER BAR, which is used to display the battery pack's remaining run time. Press the POWER BAR button to display the LED lights. The LED lights will stay lit for approximately 4 seconds.

NOTE: The POWER BAR can be used whether the battery is attached or removed from tool.



## 3. LOW-BATTERY CAPACITY INDICATOR

- If LED worklights on the POWER BAR begins to rapidly and continuously flash when the trigger switch on the wrench is depressed, the battery pack's power has run out, and the battery pack should be recharged.
- Unlike other battery pack types, Lithium-Ion battery packs deliver fade-free power for their entire run time. The tool will not experience a slow, gradual loss of power as you work. To signal that the battery pack is at the end of its run time and needs to be charged, the power to the tool will drop quickly. The POWER BAR will begin to display four flashing LED lights when the battery is completely discharged. When this happens, remove the tool from the

workpiece, and charge the battery pack as needed.

**NOTE:** The POWER BAR may also display four flashing LED lights due to an overload or high temperature situation.

## 4. WHEN TO CHARGE THE BATTERY PACK

The Lithium-Ion battery can be charged at any time and will not develop a "memory" when charged after only a partial discharge. It is not necessary to run down the battery pack charge before recharging. Remove the battery pack from the tool when convenient for you and your job.

- Use the POWER BAR to determine when you need to recharge the battery pack.
- You can "top-off" your battery pack's charge before starting a big job or long period of use.

# ASSEMBLY

**⚠ WARNING:** If any part is broken or missing, **DO NOT** attempt to attach the battery pack, or operate the tool until the broken or missing part is replaced. Failure to do so could result in possible serious injury.

**⚠ WARNING:** Do not attempt to modify this tool or create accessories not recommended for use with this tool. Any such alteration or modification is misuse and could result in a hazardous condition leading to possibly serious injury.

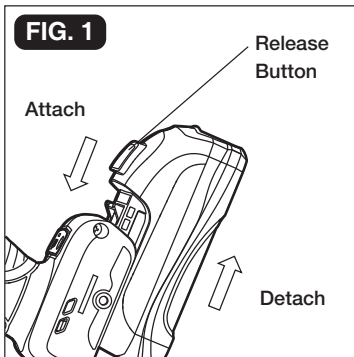
**⚠ WARNING:** Your tool should never be connected to the power source when you are assembling parts, making adjustments, installing or removing accessories, cleaning, or when it is not in use. Disconnecting the tool will prevent accidental starting, which could cause serious personal injury.

## UNPACKING

1. Carefully remove the tool and any accessories from the carton. Make sure that all items listed in the packing list are included.
2. Inspect the tool carefully to make sure that no breakage or damage occurred during shipping.
3. Do not discard the packing material until you have carefully inspected and satisfactorily operated the tool.

# ASSEMBLY

## TO ATTACH BATTERY PACK (FIG. 1)



1. Make sure that the tool is switched off.

2. Align the raised rib on the battery pack with the grooves on the bottom of the Impact Wrench, and then slide the battery pack onto the tool.

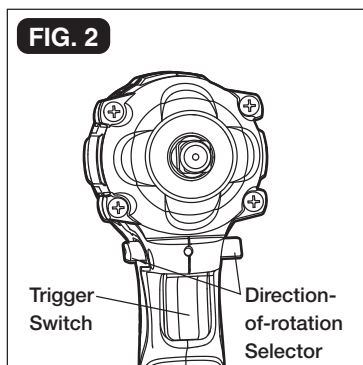
**NOTICE:** Make sure that the latch on the battery pack snaps into place and the battery pack is secured to the tool before operation.

## TO DETACH BATTERY PACK (FIG. 1)

1. Make sure that the tool is turned off.
2. Depress the battery release buttons located on the front of the battery pack to release the battery pack.
3. Pull the battery pack out and remove it from the tool.

# OPERATION

## TRIGGER SWITCH (FIG. 2)

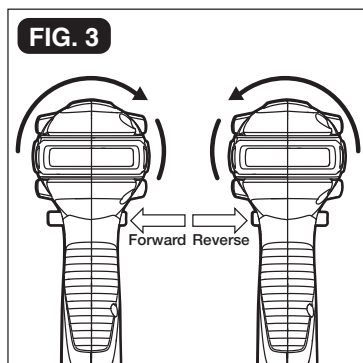


1. To turn the Impact Wrench on, depress the trigger switch.
2. To turn it off, release the trigger switch.

## VARIABLE SPEED

The variable-speed trigger switch delivers higher speed with increased trigger pressure and lower speed with decreased trigger pressure.

## DIRECTION -OF-ROTATION SELECTOR (FORWARD/CENTER-LOCK/REVERSE) (FIG. 3)

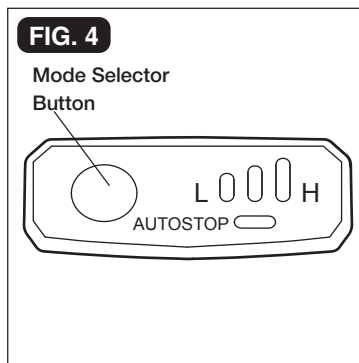


The direction of rotation is reversible and is controlled by a selector located above the trigger switch. With the Impact Wrench held in normal operating position: Position the direction-of-rotation selector to the left of the tool for forward rotation. Position the direction-of-rotation selector to the right of the tool for reverse rotation. Setting the switch in the OFF (center-lock) position helps to reduce the possibility of accidental starting when not in use.

**NOTICE:** To prevent gear damage, always allow the Impact Wrench to come to a complete stop before changing the direction of rotation.

**NOTICE:** The Impact Wrench will not run unless the direction of the rotation selector is engaged fully to the left or right.

## MODE SELECTOR (FIG. 4)



**NOTICE:** The Impact Wrench is designed with 3-speed and auto-stop functions, but the functions are available only when the tool is operating in forward rotation.

**NOTICE:** The mode can change only while the mode-indicator light is on. The mode-indicator light will be off automatically after approximately one minute has elapsed.

**⚠ WARNING:** When using the Auto-stop mode, engage the trigger only once. If you pull the trigger once more, the new torque applied will be added to the previously applied torque, risking to damage the bolt/nut.

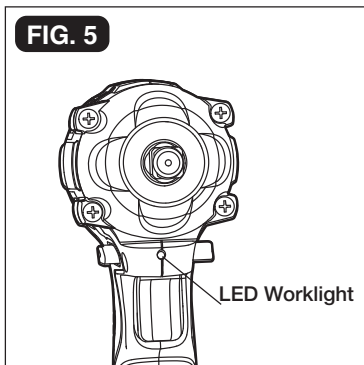
# OPERATION

1. Attach the battery pack to the Impact Wrench.
2. Position the direction-of-rotation selector to the left of the tool for forward rotation, and press the trigger switch to turn on the mode-indicator light.
3. Press the mode-selector button; the speed will change in three steps: low, medium and high. Press and hold the mode-selector button for three seconds: the auto-stop mode is available and the auto-stop indicator will be on. When the bolt/nut is sufficiently tight, the tool stops the impact and rotation after approximately one second.
4. To turn off the auto-stop function, press and hold the mode-selector button for three seconds: the auto-stop will turn off.

## ELECTRIC BRAKE

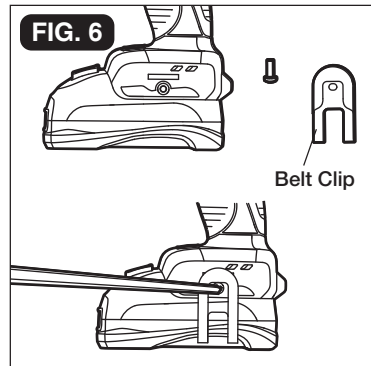
The Impact Wrench is equipped with an electric brake. When the trigger switch is released, the electric brake engages automatically to quickly stop the rotation.

## LED WORKLIGHT (FIG. 5)



The LED worklight, located on the base of the Impact Wrench, will illuminate when the trigger switch is depressed. This provides additional light on the surface of the workpiece for operation in lower-light areas. The light will automatically turn off within 10 seconds after releasing the trigger.

## INSTALLING THE BELT CLIP (FIG. 6)



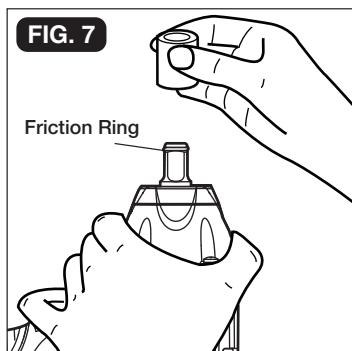
1. Align the rib of the belt clip with the hole on the base of the wrench.
2. Insert the screw and tighten the screw securely with a screwdriver (available separately).

## REMOVING THE BELT CLIP

1. Use a screwdriver (available separately) to loosen the screw that attaches the belt clip to the wrench.
2. Remove the screw and the belt clip.

# OPERATION

## INSTALLING AND REMOVING THE SOCKET (FIG. 7)



**NOTICE:** The friction ring, with certain plasticity and strength, helps to prevent the socket from disengaging from the output drive of the impact wrench during the operation.

Always use the correct size socket for bolts and nuts. An incorrect socket will result in inaccurate and inconsistent fastening torque and/or damage to the bolt or nut.

1. Lock the trigger switch by placing the direction-of-rotation selector in the OFF (center) position.
2. To install the socket, push it onto the output drive of the tool until it locks into place.
3. To remove the socket, simply pull it off.

## INSTALLING FASTENERS

**NOTICE:** Always keep the Impact Wrench at a right angle to the fastener to avoid damaging the fastener head.

**To fasten:**

1. Start threading the fastener by hand onto or into its threaded counterpart (e.g. nut onto bolt, or bolt into nut or threaded hole).
2. With the proper impact socket securely mounted to the Impact Wrench, slide the

impact socket onto the nut or bolt head.

3. Place the direction-of-rotation selector in the FORWARD position, and select a suitable speed or the auto-stop function. Hold the tool firmly while depressing the trigger switch. The impact socket will turn the fastener and the impacting action will begin when the fastener encounters resistance.

**To loosen:**

1. With the proper impact socket securely mounted to the wrench, slide the impact socket onto the bolt head.
2. Place the direction-of-rotation selector in the REVERSE position. Hold the tool firmly while depressing the trigger switch. The tool will start to impact immediately.
3. Once the fastener has “broken loose,” it will start to unthread. Be careful that you do not allow a fastener to spin freely once it is no longer engaged with its threaded counterpart, as it may be thrown out of the socket.

## IMPACTING TIPS

The proper fastening torque may differ depending on the type or size of the bolt, the material of the workpiece to be fastened, etc.

**NOTICE:** Hold the tool straight along the axis of the bolt or nut.

**NOTICE:** Excessive fastening torque may damage the bolt/nut or socket. Before starting your job, always perform a test operation to determine the proper fastening time for your bolt or nut.

Practice with various fasteners, noting the length of time required to reach the desired torque. Check the tightness with a hand-torque wrench. If the fasteners are too tight, reduce the impacting time. If they are not tight enough, increase the impacting time.

## OPERATION

Hold the tool firmly, and place the socket over the bolt or nut. Turn the tool on, and fasten the bolt or nut to the proper torque. The torque that is required to loosen a fastener averages 75% to 80% of the tightening torque, depending on the condition of the contacting surfaces. However, if rust or corrosion causes seizing, more torque may be required.

After fastening, always check the torque with a torque wrench. The fastening torque is affected by a wide variety of factors, including the following:

- Socket

Failure to use the correct size socket will cause a reduction in the fastening torque.

A worn socket (wear on the hex end or square end) will cause a reduction in the fastening torque.

- Bolt

Although the torque coefficient and the class of bolt may be the same, the proper fastening torque will differ according to the diameter of the bolt.

Even if the diameters of bolts are the same, the proper fastening torque will differ according to the torque coefficient, the class of bolt and the bolt length.

- Accessories

The use of a universal joint or an extension bar (both available separately) will reduce the fastening force of the Impact Wrench somewhat. Compensate by fastening for a longer period of time.

- Technique

The manner of holding the tool or the material to be fastened will affect the torque.

**⚠ WARNING:** Always wear safety goggles or safety glasses with side shields during power tool operations, or when blowing dust. If operation is dusty, also wear a dust mask.

**⚠ WARNING:** Do not at any time let brake fluids, gasoline, petroleum-based products, penetrating oils, etc. come in contact with plastic parts. Chemicals can damage, weaken or destroy plastic, which may result in serious personal injury.

## OPERATION

### 1. BATTERY CHARGING

The battery is supplied partially charged. To ensure full capacity of the battery, completely charge the battery in the battery charger before

A fully discharged battery pack will charge in 50 minutes for DB1850 in a surrounding temperature between 32° F (0° C) and 104° F (40° C).

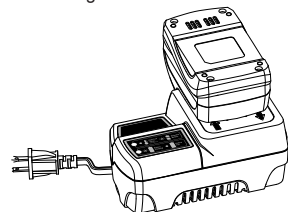
1. Charge the Lithium-Ion battery pack with the correct charger.
2. Connect the charger to a power supply.
3. Align the raised ribs of the battery pack with the slot in the charger.
4. Slide the battery pack onto the charger .
5. The charger will communicate with the battery pack to evaluate the condition of the battery pack.

6. The POWER BAR LED lights will cycle from right to left during charging. This is part of the normal charging operation.

7. After charging is complete, the green LED on the charger will come on and the POWER BAR LED lights will go displayed when the POWER BAR button is pressed while the battery pack is on the charger.

8. The battery pack will fully charge if left on the charger, but it will not overcharge.

**NOTE:** For your convenience, the charger can operate with most generators and inverters rated at 300 watts or higher.



## MAINTENANCE

The tool may be cleaned most effectively with compressed dry air. Always wear safety goggles when cleaning tools with compressed air.

Avoid using solvents when cleaning plastic parts. Most plastics are susceptible to damage from various types of commercial solvents and may be damaged by their use. Use clean clothes to remove dirt, dust, oil, grease, etc.

3. Check for loose screws, misalignment or binding of moving parts, or any other condition that may affect the operation.
4. If abnormal vibration or noise occurs, turn the tool off immediately and have the problem corrected before further use.
5. Detach the battery from the Impact Wrench before cleaning or performing any maintenance. Using compressed air may be the most effective cleaning method. Always wear safety goggles when cleaning tools using compressed air.

### BEFORE EACH USE

1. Inspect the Impact Wrench, the on/off switch and the accessories for damage.
2. Check for damaged, missing, or worn parts.

### LUBRICATION

All of the bearings in this tool are lubricated with a sufficient amount of high grade lubricant for the life of the unit under normal conditions. Therefore, no further lubrication is required.

## ACCESSORIES

NO

## TROUBLESHOOTING

PROBLEM	CAUSE	SOLUTION
The Impact Wrench does not work.	The battery is depleted.	Charge the battery.
The Impact Wrench does not work and the tool LED worklight flashes.	The tool is overheated.	Allow the tool to cool down.
The impact wrench does not work and the battery pack LED light flashes.	The battery is overheated.	Allow the battery to cool down.



## EC DECLARATION OF CONFORMITY

Original Language

Brand Name : Mighty Seven

Serial Number: Please refer to the tool

Cordless Impact Wrench

Item No.:DW-401 (Tool)

to which this declaration applies, complies with these normative documents:

- Machinert Directive : 2006 / 42 / EC
- EMC : 2014 / 30 / EU

and conforms to the following EN standard,

- EN 62841-1-1:2015+AC:2015
- EN 62841-2-2:2014+AC:2015
- EN 55014-1:2017
- EN 55014-2:2015

Battery Charger

Item No.: DB1850 (Battery) DC18A (Charger)

to which this declaration applies, complies with these normative documents:

- LVD : 2014 / 35 / EU
- EMC : 2014 / 30 / EU

and conforms to the following EN standards

- EN 60335-1:2012+A11+A13+A14+A2
- EN 60335-2-29:2004+A2+A11
- EN 55014-1:2017
- EN 61000-3-2:2014
- EN 55014-2:2015
- EN 62233:2008
- EN 61000-3-3:2013

Declared in: Taichung, Taiwan

Dated:2020/07/01

**Signature**

Jay Lin

Declared by: QA Manager



**Manufacturer:**

**Mighty Seven International Co., Ltd.**

No. 70-25, Ching Quang Rd., Wujih Dist.,  
Taichung City, 41466 Taiwan.  
<http://www.mighty-seven.com>

Authorized contact, to compile the technical files :

**King Tony France**

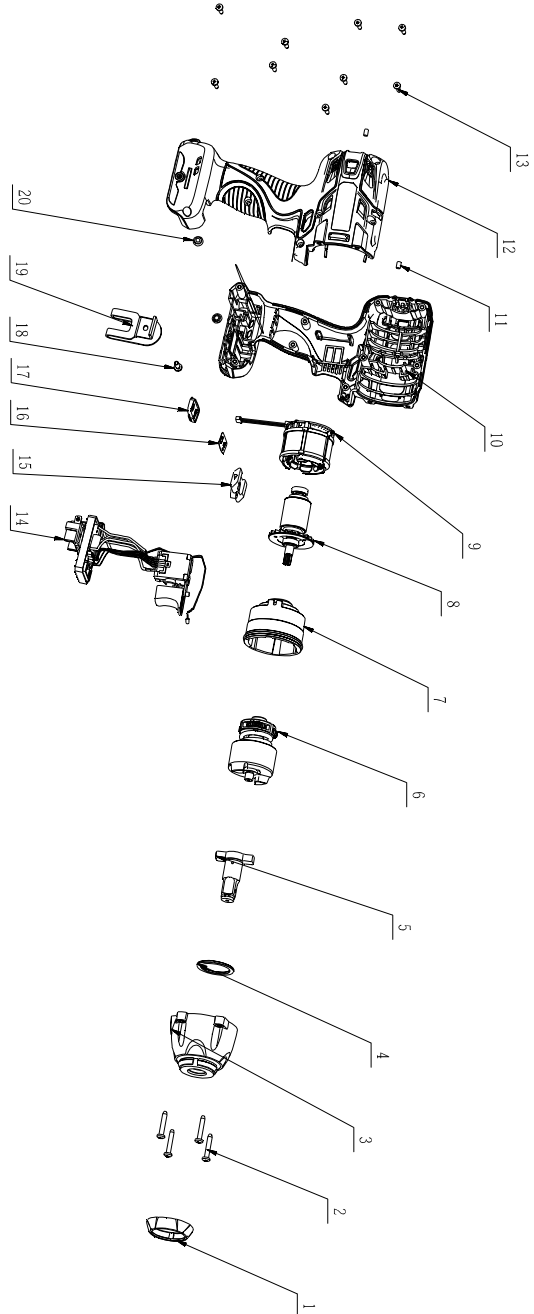
3 Rue des imprimeurs ZI République Nord 1.  
86000 POITIERS FRANCE  
TEL: (+33)5-49-30-30-90  
E-MAIL: [christian.aubineau@kingtony.eu](mailto:christian.aubineau@kingtony.eu)





# Cordless Impact Wrench

Item No : DW-401



# Part List

Item No : DW-401


NO.	PART NO.	DESCRIPTION	Q'TY
1	DW-401P01	Decorative Cover	1
2	DW-401T02	Tapping Screw(4PCS)	1SET
3	DW-401P03	Front Gear Housing ASSY	1
4	DW-401P04	Washer	1
5	DW-401P05	Output Shaft ASSY	1
6	DW-401P06	Impact Block ASSY	1
7	DW-401P07	Rear Gear Housing ASSY	1
8	DW-401P08	Rotor Assembly	1
9	DW-401P09	Stator	1
10	DW-401P10	Left Housing ASSY	1
11	DW-401T11	Rubber Stick(2PCS)	1SET
12	DW-401P12	Right Housing ASSY	1
13	DW-401T13	Tapping Screw(9PCS)	1SET
14	DW-401P14	Electric Assembly	1
15	DW-401P15	F/R Button	1
16	DW-401P16	Indicator Label	1
17	DW-401P17	Switch Button Cover	1
18	DW-401P18	Screw	1
19	DW-401P19	Hook	1
20	DW-401T20	Nut(2PCS)	1SET

# Warranty Card

## Manufacturer's limited warranty

**Mighty Seven International Co., LTD.** offers limited warranty to the products manufactured by **Mighty Seven** and sold by its worldwide authorized dealers. The limited warranty only applies to products that are defective in material and workmanship and does not apply to products which have been abused, misused, service representatives. If there is a defective product of **Mighty Seven**, please send it prepaid to the dealer where it was purchased from along with address and contact information. Repairs or replacements are warranted as described above; otherwise, the service of repairs or replacements will be charged.

## Please Keep This card For Warranty

Date of Purchase	Model No.
warranty Expiration Date:	serial No
Distributor Stamp	
	

Date of Purchase :	Model No :
warranty Expiration Date :	serial No :
Name :	
Company Name :	
Address :	
Tel :	Fax :
E-mail :	
<b>Type of Business:</b>	
<input type="checkbox"/> Agriculture	<input type="checkbox"/> Paint & Body Repair
<input type="checkbox"/> General Auto Repair	<input type="checkbox"/> Public Work/Gov.Utilities
<input type="checkbox"/> Tire	<input type="checkbox"/> Factory
<input type="checkbox"/> Truck Maintenance/Repair	<input type="checkbox"/> Home Use
<input type="checkbox"/> Car Maker	<input type="checkbox"/> Other

# ALLGEMEINE SICHERHEITSBESTIMMUNGEN

## ALLGEMEINE LEISTUNGSWERKZEUG SICHERHEITS-WARNUNGEN



### Warnung:

Lesen Sie alle Anweisungen!

Die Nichtbeachtung der unten aufgeführten Sicherheitshinweise kann zu Stromschlägen, Feuer und / oder schweren Körperverletzungen führen.

Bewahren Sie alle Warnungen und Anweisungen zum späteren Nachschlagen auf.

Der Begriff „Elektrowerkzeug“ in den Warnungen bezieht sich auf Ihr netzbetriebenes (schnurgebundenes) Elektrowerkzeug oder batteriebetriebenes (schnurloses) Elektrowerkzeug.

4. Niemals das Kabel missbrauchen. Verwenden Sie niemals das Kabel zum Tragen, Ziehen oder Herausziehen des Elektrowerkzeugs. Halten Sie das Kabel von Hitze, Öl und scharfen Kanten fern. Beschädigte oder verwickelte Kabel erhöhen Sie das Risiko eines Stromschlags.
5. Wenn Sie ein Elektrowerkzeug im Freien betreiben, verwenden Sie ein Verlängerungskabel, das für den Außenbereich geeignet ist, es verringert das Risiko eines Stromschlags.
6. Wenn Sie ein Elektrowerkzeug an einem feuchten Ort betreiben müssen, verwenden Sie ein Fehlerstromschutzgerät (RCD) für eine geschützte Versorgung. Die Verwendung eines Fehlerstromschutzgeräts reduziert das Risiko eines Stromschlags.

## SICHERHEIT DES ARBEITSBEREICHS

1. Halten Sie den Arbeitsbereich sauber und gut beleuchtet. Überfüllte oder dunkle Bereiche führen zu Unfällen.
2. Betreiben Sie Elektrowerkzeuge nicht in explosionsgefährdeten Bereichen, z. B. in Gegenwart von nicht brennbaren Flüssigkeiten, Gasen oder Staub. Powertools erzeugen Funken, die Staub oder Dämpfe entzünden können.
3. Halten Sie Kinder und Umstehende fern, während Sie ein Elektrowerkzeug bedienen. Ablenkungen können dazu führen, dass Sie die Kontrolle verlieren.

## ELEKTRISCHE SICHERHEIT

1. Power Tool Stecker müssen mit der Steckdose übereinstimmen. Ändern Sie den Stecker niemals in irgendeiner Weise. Verwenden Sie keine Adapterstecker mit geerdeten Elektrowerkzeugen. Unveränderte Stecker und passende Steckdosen verringern das Risiko eines Stromschlags.
2. Vermeiden Sie den Kontakt des Körpers mit geerdeten Oberflächen wie Rohren, Heizkörpern, Herden und Kühlschränken. Wenn Ihr Körper geerdet ist, besteht ein erhöhtes Risiko eines Stromschlags.
3. Setzen Sie Elektrowerkzeuge weder Regen noch Nässe aus. Wasser, das in ein Elektrowerkzeug eindringt, erhöht das Risiko eines Stromschlags.

## Persönliche Sicherheit

1. Seien Sie wachsam. Achten Sie darauf, was Sie tun, und arbeiten Sie ruhig und überlegt mit einem Elektrowerkzeug. Verwenden Sie das Gerät nicht, wenn Sie müde sind, sich nicht konzentrieren können oder wenn Ihre Reaktionsfähigkeit durch die Einnahme von Drogen, Alkohol oder Medikamenten beeinträchtigt ist. Ein Moment der Unaufmerksamkeit beim Bedienen eines Elektrowerkzeugs kann zu schweren Verletzungen führen.
2. Tragen Sie Kleidung, persönliche Schutzausrüstung und immer eine Schutzbrille. Das Tragen persönlicher Schutzkleidung und -ausrüstung wie Atemmaske, rutschfeste Schuhe, Helm oder Gehörschutz verringert das Verletzungsrisiko.
3. Vermeiden Sie versehentliches Zünden. Stellen Sie sicher, dass sich das Elektrowerkzeug in der Position "OFF" (= Aus) befindet, bevor Sie den Stecker in die Steckdose stecken und /oder die Batterie anschließen. Das Tragen des Geräts mit dem Finger am Schalter oder das Einstecken des Geräts im eingeschalteten Zustand kann zu Unfällen führen.
4. Entfernen Sie alle Werkzeuge oder Schraubenschlüssel, bevor Sie das Elektrogerät einschalten. Ein Werkzeug oder ein Schraubenschlüssel in einem beweglichen Teil des Geräts kann zu Verletzungen führen.
5. Vermeiden Sie unsichere Körperpositionen. Finden Sie eine sichere Position und halten Sie Ihr Gleichgewicht jederzeit aufrecht. Auf diese Weise können Sie das elektrische Gerät im Falle einer unerwarteten Situation besser steuern.

# ALLGEMEINE SICHERHEITSBESTIMMUNGEN

6. Geeignete Kleidung tragen. Tragen Sie keine lose Kleidung oder Schmuck. Halten Sie Haare, Kleidung und Handschuhe von beweglichen Teilen fern. Lose Kleidung, Schmuck und lange Haare können sich in beweglichen Teilen verfangen.

7. Wenn Saug- und Staubsammelvorrichtungen angebracht werden können, stellen Sie sicher, dass diese sicher angebracht sind und ordnungsgemäß verwendet werden. Die Verwendung dieser Geräte verringert das Staubrisiko.

## Verwendung und Wartung des Elektrowerkzeugs

1. Überlasten Sie das Gerät nicht. Verwenden Sie das richtige Elektrowerkzeug für Ihre Aufgabe. Mit dem richtigen Werkzeug arbeiten Sie im angegebenen Arbeitsbereich besser und sicherer.

2. Verwenden Sie keine Elektrowerkzeuge mit einem defekten Schalter. Ein Elektrowerkzeug mit einem defekten Schalter ist gefährlich und muss repariert werden.

3. Ziehen Sie den Stecker aus der Steckdose und / oder den Akku aus dem Werkzeug, bevor Sie Einstellungen vornehmen, das Zubehör wechseln oder das Gerät aufbewahren. Diese Vorsichtsmaßnahme verhindert ein versehentliches Zünden des Gerätes.

4. Bewahren Sie nicht verwendete Elektrowerkzeuge außerhalb der Reichweite von Kindern auf. Verhindern Sie die Verwendung des Geräts durch Personen, die mit dem Gerät nicht vertraut sind oder diese Anweisungen nicht gelesen haben. Elektrowerkzeuge sind gefährlich, wenn sie von unerfahrenen Personen verwendet werden.

5. Warten Sie das Elektrowerkzeug sorgfältig. Stellen Sie sicher, dass die beweglichen Teile ausgerichtet sind und nicht kleben und dass kein Teil so stark beschädigt ist, dass der Betrieb des Geräts beeinträchtigt wird. Lassen Sie beschädigte Teile reparieren, bevor Sie das Gerät verwenden. Viele Unfälle werden durch unsachgemäße Wartung von Elektrowerkzeugen verursacht.

6. Schärfen Sie Ihre Schneidwerkzeuge und reinigen Sie sie. Sorgfältig gewartete Schneidwerkzeuge mit scharfen Schneidkanten verkleben sich weniger und sind leichter zu führen.

7. Verwenden Sie das Elektrowerkzeug, Zubehör, Klingen usw. gemäß diesen Anweisungen und auf die für diesen Gerätetyp vorgeschriebene Weise. Berücksichtigen Sie die Arbeitsbedingungen und die durchgeführten Aktivitäten. Die Verwendung von Elektrowerkzeugen für andere als die vorgesehenen Anwendungen kann zu gefährlichen Situationen führen.

## Verwendung und Wartung des Batteriewerkzeugs

1. Laden Sie den Akku nur in vom Hersteller empfohlenen Ladegeräten auf. Das für einen bestimmten Batterietyp vorgesehene Ladegerät birgt eine Brandgefahr, wenn es mit einem anderen Batterietyp verwendet wird.

2. Verwenden Sie in Elektrowerkzeugen nur für diesen Zweck vorgesehene Batterien. Die Verwendung anderer Akkus kann zu Unfällen und Brandgefahr führen.

3. Wenn der Akku nicht verwendet wird, halten Sie ihn von Metallgegenständen wie Büroklammern, Münzen, Schlüsseln, Nägeln, Schrauben oder anderen kleinen Metallgegenständen fern, die einen Stromfluss von einem ein Terminal zum anderen herstellen können. Ein Kurzschluss zwischen den Batterieklammern kann Verbrennungen oder einen Brand verursachen.

4. Unter missbräuchlichen Bedingungen kann Flüssigkeit aus der Batterie ausgestoßen werden. Kontakt vermeiden. Bei versehentlichem Kontakt mit Wasser abspülen. Wenn Flüssigkeit mit den Augen in Kontakt kommt, konsultieren Sie auch einen Arzt. Aus der Batterie ausgestoßene Flüssigkeit kann zu Reizungen oder Verbrennungen führen.

## SERVICE

1. Lassen Sie das Gerät nur von qualifiziertem Personal mit nur identischen Ersatzteilen reparieren, um die Sicherheit des Werkzeugs zu gewährleisten.

# SICHERHEITS HINWEISE

Sicherheitssymbole sollen Sie auf mögliche Gefahren aufmerksam machen. Die Sicherheitssymbole und die dazugehörigen Erklärungen verdienen Ihre Aufmerksamkeit und Ihr Verständnis. Symbolwarnungen allein beseitigen nicht alle Gefahren. Die Anweisungen und Warnungen, die sie geben, sind kein Ersatz für geeignete Unfallverhütungsmaßnahmen.

## WARNUNG:

Lesen und verstehen Sie alle Sicherheitshinweise in diesem Handbuch, einschließlich aller Sicherheitswarnsymbole wie „GEFAHR“, „WARNUNG“ und „VORSICHT“, bevor Sie dieses Tool verwenden. Die Nichtbeachtung aller nachstehenden Anweisungen kann zu Stromschlägen, Bränden und / oder schweren Verletzungen führen.

---

## SYMBOL BEDEUTUNG



### SICHERHEITSWARNSYMBOL:

Zeigt eine GEFAHR, WARNUNG oder VORSICHT an.

Kann mit anderen Symbolen oder Piktogrammen verwendet werden.

## GEFAHR:

Weist auf eine unmittelbar gefährliche Situation hin, die, wenn sie nicht vermieden wird, zum Tod oder zu schweren Verletzungen führen kann.

## WARNUNG:

Weist auf eine potenziell gefährliche Situation hin, die, wenn sie nicht vermieden wird, zum Tod oder zu schweren Verletzungen führen kann.

## VORSICHT:

Weist auf eine potenziell gefährliche Situation hin, die, wenn sie nicht vermieden wird, zu leichten oder mittelschweren Verletzungen führen kann.




### HINWEIS:

(Ohne Sicherheitswarnsymbol) Zeigt eine Situation an, die zu Sachschäden führen kann.

ANLEITUNG AUFBEWAHREN!

## SICHERHEITS SYMBOLE

Einige dieser folgenden Symbole können für dieses Tool verwendet werden. Bitte studieren Sie die Symbole und deren Bedeutung. Durch die richtige Interpretation dieser Symbole können Sie das Werkzeug besser und sicherer bedienen.

Symbol	Name	Beschreibung/Erklärung
V	Volt	Stromspannung
A	Ampere	Stromstärke
Hz	Hertz	Wiederholungsrate (Zyklus pro Sekunde)
W	Watt	Kraft
~	Wechselstrom	Stromart
≡	Gleichstrom	Art oder Charakteristik des Stroms
$n_0$	Leerlaufdrehzahl	Drehzahl ohne Last
lbs	Pfund	Gewicht
	Klasse II Bauart	doppelt isolierte Bauart
.../min	Pro Minute	Umdrehungen, Hübe, Umlaufbahnen der Oberflächengeschwindigkeit usw.
	Tragen Sie eine Schutzbrille.	<div style="border: 1px solid black; padding: 2px; display: inline-block;"> <b>WARNUNG:</b></div> Die Bedienung eines Elektrowerkzeugs kann dazu führen, dass Fremdkörper in Ihre Augen geworfen werden, was zu schweren Augenschäden führen kann. Tragen Sie vor Beginn des Betriebs des Elektrowerkzeugs bei Bedarf immer eine Schutzbrille oder eine Schutzbrille mit Seitenschutz und einem Vollgesichtsschutz. Wir empfehlen eine Weitwinkel-Sicherheitsmaske für Brillen oder Standard-Schutzbrillen mit Seitenschutz. Verwenden Sie immer einen Augenschutz, der gemäß ANSI Z87.1 gekennzeichnet ist.

### **WARNUNG:**

Um Sicherheit und Zuverlässigkeit zu gewährleisten, sollten alle Reparaturen von einem qualifizierten Servicetechniker durchgeführt werden.

## SPEZIFISCHE SICHERHEITS-REGELN

### SPEZIFISCHE SICHERHEITSBESTIMMUNGEN FÜR SCHLAGSCHRAUBER

1. Halten Sie den Schlagschrauber an den isolierten Greifflächen fest, wenn Sie Arbeiten ausführen, bei denen der Bohrer mit verborgenen Drähten oder seinem eigenen Kabel in Kontakt kommen kann. Der Kontakt mit einem "stromführenden" Draht führt auch dazu, dass freiliegende Metallteile des Werkzeugs "spannungsführend" werden und den Bediener schockieren können.

2. Verwenden Sie den Akku nur mit dem unten genannten Ladegerät:

AKKU	Ladegerät
DB-1850	DC-18A

3. Tragen Sie bei Verwendung dieses Werkzeugs immer einen Augenschutz.

4. Stellen Sie sicher, dass der Schalter auf OFF steht, bevor Sie eine Batterie einlegen. Das Einlegen des Akkus in ein eingeschaltetes tragbares Gerät kann zu Unfällen führen.

5. Überprüfen Sie die Schlagbuchse sorgfältig auf Risse oder Abnutzungserscheinungen, bevor Sie sie am Schlagschrauber anbringen.

6. Bits, Sockel und Werkzeuge werden während des Betriebs heiß. Tragen Sie Handschuhe, wenn Sie sie berühren.

7. Entfernen Sie den Akku, bevor Sie das Zubehör wechseln. Ein versehentlicher Start kann auftreten, da tragbare Geräte mit eingelegter Batterie in einem dauerhaften Betriebszustand sind.

#### WARNUNG:

Einige Stäube, die durch Schleifen, Schneiden, Bohren oder andere Bautätigkeiten entstehen, können Chemikalien enthalten, von denen bekannt ist, dass sie Krebs, Geburtsfehler oder andere reproduktive Schäden verursachen. Hier einige Beispiele für diese Chemikalien:

- Blei aus bleihaltigen Farben
- Kristalline Kieselsäure aus Ziegeln und Zement und anderen Mauerwerksprodukten,
- Arsen und Chrom aus chemisch umgesetztem Holz.

Ihr Risiko durch diese Expositionen hängt davon ab, wie oft Sie diese Art von Arbeit ausführen. So verringern Sie die Exposition gegenüber diesen Chemikalien:

Arbeiten Sie in einem gut belüfteten Bereich und mit zugelassener Sicherheitsausrüstung.



## SICHERHEITSHINWEISE FÜR DAS LADEGERÄT

1. Lesen Sie vor der Verwendung des Ladegeräts alle Anweisungen und Warnungen in diesem Handbuch sowie auf dem Ladegerät, der Batterie und dem Batterieprodukt, um Missbrauch und mögliche Verletzungen oder Beschädigungen zu vermeiden.

### VORSICHT:

Um das Risiko eines Stromschlags oder einer Beschädigung des Ladegeräts und des Akkus zu verringern, laden Sie nur Lithium-Ionen-Akkus, die speziell auf Ihrem Ladegerät angegeben sind. Andere Batterietypen können explodieren und Verletzungen oder Schäden verursachen.

2. Verwenden Sie das Ladegerät nicht im Freien oder bei Nässe. Wenn Wasser in das Ladegerät gelangt, steigt das Risiko eines Stromschlags.

3. Die Verwendung von Zubehör, das vom Hersteller des Ladegeräts nicht empfohlen oder verkauft wird, kann zu Brand, Stromschlag oder Verletzungen führen.

4. Missbrauchen Sie weder das Kabel noch das Ladegerät. Tragen Sie das Ladegerät niemals am Kabel. Trennen Sie das Werkzeug niemals vom Netz, indem Sie am Kabel ziehen. Dies könnte das Kabel oder das Ladegerät beschädigen und einen Stromschlag verursachen. Ersetzen Sie beschädigte Kabel sofort.

5. Stellen Sie sicher, dass das Kabel an einem sicheren Ort aufbewahrt wird, damit niemand darauf treten oder darüber stolpern kann und dass es keinen Beschädigungen oder anderen Belastungen ausgesetzt ist. Dies verringert das Risiko versehentlicher Stürze, die zu Verletzungen führen und das Kabel beschädigen können, wodurch die Gefahr eines Stromschlags besteht.

6. Schützen Sie das Kabel und das Ladegerät vor Hitze, um Schäden am Gehäuse und an den Innenteilen zu vermeiden.

7. Schützen Sie die Kunststoffteile vor Benzin, Öl, Erdölprodukten usw. Diese Materialien enthalten Chemikalien, die Kunststoff beschädigen, schwächen oder zerstören können.

8. Verwenden Sie nur dann ein Verlängerungskabel, wenn dies unbedingt erforderlich ist. Die Verwendung eines ungeeigneten Verlängerungskabels kann zu Feuer, Stromschlag oder Stromschlag führen. Wenn ein Verlängerungskabel verwendet werden muss, stellen Sie Folgendes sicher:

daß der Stecker des Kabels die gleiche Anzahl von Stiften hat wie der des Ladegeräts, und seine Stifte die gleiche Form und Größe haben .

daß das Kabel gut verdrahtet und in gutem Zustand ist.

daß die Größe groß genug für die unten angegebene Stromstärke des Ladegeräts ist:

Kabellänge (Fuß)	25' 50' 100'
Kabelgröße (AWG)	16'

**ANMERKUNG:** AWG = American Wire Gauge (amerikanische Drahtstärke)

9. Betreiben Sie das Ladegerät nicht mit einem beschädigten Netzkabel oder Stecker, da die Gefahr eines Kurzschlusses und eines Stromschlags besteht. Wenn das Ladegerät beschädigt ist, lassen Sie es von einem autorisierten Techniker bei **m7** reparieren.

10. Betreiben Sie das Ladegerät nicht, wenn es einen schweren Schlag erlitten hat, heruntergefallen ist oder auf andere Weise beschädigt wurde. Bringen Sie das Ladegerät zu einem autorisierten Techniker bei **m7** , um eine elektrische Überprüfung durchzuführen, um festzustellen, ob das Ladegerät in einwandfreiem Zustand ist.

11. Zerlegen Sie das Ladegerät nicht. Bringen Sie es zu einem autorisierten Techniker bei **m7** , wenn eine Wartung oder Reparatur erforderlich ist. Ein falsch zusammengebautes Ladegerät kann zu Stromschlägen, Stromschlägen oder Bränden führen.

12. Ziehen Sie den Netzstecker aus der Steckdose, bevor Sie das Gerät reinigen oder warten. Diese Vorsichtsmaßnahme verringert das Risiko eines Stromschlags.

13. Trennen Sie das Ladegerät von der Stromversorgung, wenn es nicht verwendet wird. Dies verringert das Risiko eines Stromschlags und einer Beschädigung des Ladegeräts, wenn Metallgegenstände in die Öffnung fallen. Dies verhindert auch Schäden im Falle eines Stoßes.

14. Stromschlaggefahr. Berühren Sie nicht den nicht-isolierten Teil des Ausgangsanschlusses oder den nicht-isolierten Anschluss der Batterie.

15. Bewahren Sie diese Anweisungen sicher auf. Probieren Sie sie regelmäßig aus und informieren Sie andere über dieses Tool. Wenn Sie dieses Tool an eine andere Person ausleihen, leihen Sie diese auch aus, um Missbrauch des Produkts und mögliche Verletzungen zu vermeiden.

### WARNING:

Einige Stäube, die durch Schleifen, Schneiden, Schleifen, Bohren oder andere Bautätigkeiten entstehen, können Chemikalien enthalten, von denen bekannt ist, dass sie Krebs, Geburtsfehler oder andere reproduktive Schäden verursachen. Hier einige Beispiele für diese Chemikalien:

■ Blei aus bleihaltigen Farben

■ Kristalline Kieselsäure aus Ziegeln und Zement und anderen Mauerwerksprodukten,

■ Arsen und Chrom aus chemisch umgesetztem Holz.

Ihr Risiko durch diese Expositionen hängt davon ab, wie oft Sie diese Art von Arbeit ausführen. So verringern Sie die Exposition gegenüber diesen Chemikalien: Arbeiten Sie in einem gut belüfteten Bereich und mit zugelassener Sicherheitsausrüstung.

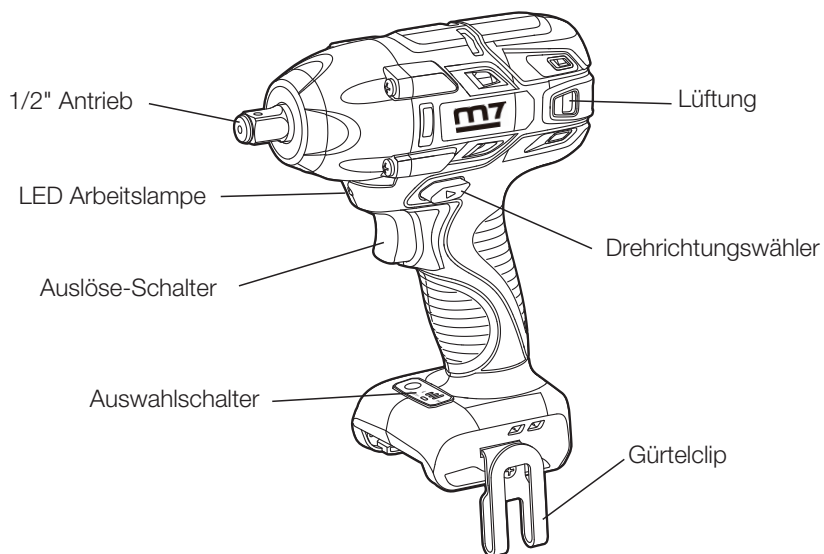
## WERKZEUG BESCHREIBUNG

### BETRIEBSKONTROLLE



Das Werkzeug dient zum Eintreiben und Lösen von Schrauben und Muttern.

### 1. HAUPTTEILE



## 2. WERKZEUG EIGENSCHAFTEN

Modell	DW-401
Antriebs-Viereck	1/2" (12.7mm)
Schraubengrößen	M6 ~ M16
Akku	Li-ion
Maximales Drehmoment	813 Nm / 600 ft-lb
Gewicht	1.48kg
Temperaturbereich (° C)	0-40

### HINWEIS:

Aufgrund des von **mt** betriebenen ständigen Entwicklungsprogramms können die hier genannten Spezifikationen ohne vorherige Ankündigung geändert werden.

## EIGENSCHAFTEN

Leerlaufgeschwindigkeit	I:0-1100 RPM II:0-1600 RPM III:0-2200 RPM
Schlagrate	I:0-1500 IPM II:0-2500 IPM III:0-3000 IPM
Anzug	I: 200 ft.lb    271 <b>Nm</b> II: 400 ft.lb    542 <b>Nm</b> III: 600 ft.lb    813 <b>Nm</b>
Antriebsmodus "Auto-Stop"	I: 80 ft.lb    108 <b>Nm</b> II: 120 ft.lb    163 <b>Nm</b> III: 160 ft.lb    217 <b>Nm</b>

Schalldruck (dBA)






Schalldruck (Unsicherheit K = 3 dB (A))                      98 dBA

Schalldruckpegel (Unsicherheit K = 3 dB (A))                      109 dBA

Vibrationspegel (m/s<sup>2</sup>)

(Unsicherheit K = 1,5 m/s<sup>2</sup>)    18.2 m/s<sup>2</sup>

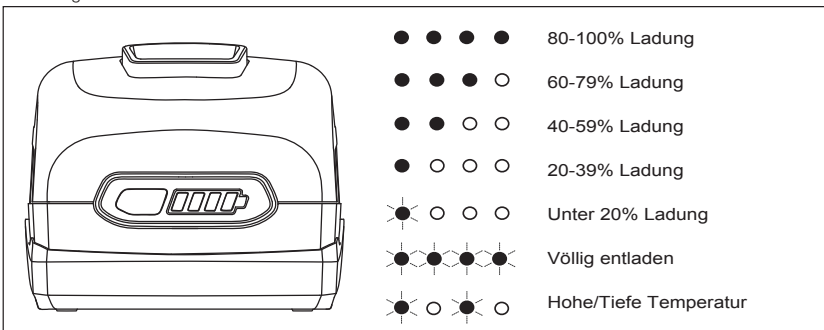
## 1. LED-ANZEIGE LADEGERÄT

LED ANZEIGE	AKKU	LED ROT	LED GRÜN	AKTION
HI/LO TEMP. (SIEHE ANLEITUNG) 	Heiße/Kalte Batterie	An	Aus	Ladevorgang beginnt wenn Batterie zwischen 0°C-40°C
 DEFEKTE BATTERIE 	Defekt	Blinkend	Aus	Akku oder Ladergerät defekt
BATTERIE LADEN 	Laden	Aus	Blinkend	Laden
BATTERIE VOLL 	Volle Ladung	Aus	An	Ladevorgang komplett Wartungs-Laden

## 2. Ladeanzeige

Dieser Lithium-Ionen-Akku ist mit einer Ladeanzeige ausgestattet, über die die Restlaufzeit des Akkus angezeigt wird. Drücken Sie die Anseigentaste, um die LED-Lichter anzuzeigen. Die LED-Lichter bleiben ca. 4 Sekunden eingeschaltet.

**ANMERKUNG:** Die Ladeanzeige kann unabhängig davon verwendet werden, ob die Batterie im Werkzeug ein- oder ausgesteckt ist.



## 3. ANZEIGE SCHWACHE LADUNG

- Wenn die LED-Anzeigen an der Ladeanzeige beim Drücken des Auslösers auf der Taste schnell und kontinuierlich blinken, wird der Akku entladen und muss aufgeladen werden.
- Im Gegensatz zu anderen Arten von Akkus liefern Lithium-Ionen-Akkus für die Dauer des Akkus eine konstante und dauerhafte Leistung. Dieses Werkzeug verliert während der Arbeit nicht allmählich an Leistung. Um zu signalisieren, dass der Akku das Ende seiner Ladezeit erreicht hat, wird die Stromversorgung des Werkzeugs schnell unterbrochen. Die vier LED-Anzeigen an der Ladeanzeige blinken, wenn der Akku vollständig entladen ist. Entfernen Sie in diesem Fall das Werkzeug vom Werkstück und laden Sie den Akku gegebenenfalls wieder auf.

**Hinweis:** Die LED-Anzeigen an der Ladeanzeige können bei Überlastung oder hohen Temperaturen blinken.

## 4. WANN DER AKKU AUFGELADEN WERDEN SOLL

Legen Sie den Akku in das Ladegerät, um ihn neu zu starten, wenn der Akku geschützt ist. Der Lithium-Ionen-Akku kann beim Aufladen nach einer Teilladung jederzeit und ohne "Memory"-Effekt aufgeladen werden. Es ist nicht erforderlich, den Akku vor dem Aufladen zu entladen.

Nehmen Sie den Akku aus dem Werkzeug, wann Sie es wünschen.

Verwenden Sie die Ladeanzeige, um zu bestimmen, wann der Akku aufgeladen werden soll. Sie können die Batterieladung "aufladen", bevor Sie einen großen Auftrag oder eine lange Nutzungsdauer beginnen.

## EIGENSCHAFTEN

### WARNUNG:

Wenn ein Teil defekt ist oder fehlt, versuchen Sie NICHT, das Netzkabel anzuschließen, den Akku anzuschließen oder das Werkzeug zu verwenden, bis das defekte oder fehlende Teil ersetzt ist. Andernfalls kann es zu schweren Verletzungen kommen.

### WARNING:

Versuchen Sie nicht, dieses Werkzeug zu ändern oder Zubehör zu erstellen, das für die Verwendung mit diesem Werkzeug nicht empfohlen wird. Eine solche Änderung oder Modifikation ist eine unsachgemäße Verwendung und kann zu einer gefährlichen Situation führen, die zu schweren Verletzungen führen kann.

### WARNING:

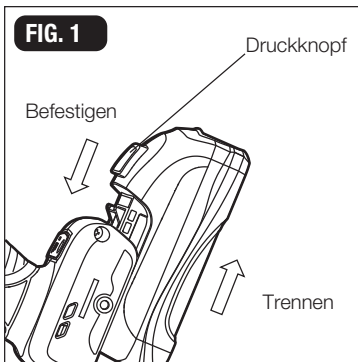
Ihr Werkzeug darf niemals an die Stromquelle angeschlossen werden, wenn Teile zusammengebaut, Einstellungen vorgenommen, Anwendungswerkzeuge installiert oder entfernt, gereinigt oder nicht verwendet werden. Durch Trennen des Werkzeugs wird ein versehentliches Starten verhindert, das zu schweren Verletzungen führen kann.

## AUSPACKEN

1. Nehmen Sie das Werkzeug und das gesamte Zubehör vorsichtig aus der Verpackung. Stellen Sie sicher, dass alle in der Packliste aufgeführten Artikel enthalten sind.
2. Überprüfen Sie das Werkzeug sorgfältig, um sicherzustellen, dass während des Transports keine Brüche oder Beschädigungen aufgetreten sind.
3. Werfen Sie die Verpackung erst weg, wenn Sie das Werkzeug sorgfältig geprüft und ordnungsgemäß verwendet haben.

## EIGENSCHAFTEN

### EINSTECKEN DES AKKUS (FIG. 1)



1. Stellen Sie sicher, dass das Werkzeug ausgeschaltet ist.

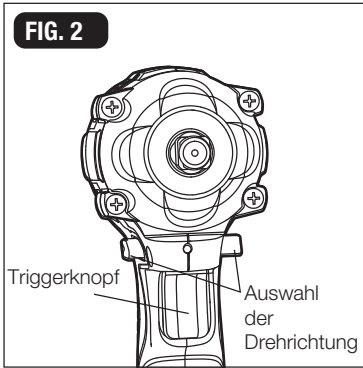
2. Richten Sie die hervorstehende Rippe am Akkupack an der Nut an der Unterseite des Schlagschraubers aus und befestigen Sie den Akkupack am Werkzeug.

**HINWEIS:** Vergewissern Sie sich, dass die Verriegelung am Akku einrastet und der Akku sicher am Werkzeug befestigt ist, bevor Sie das Werkzeug starten.

### HERAUSNEHMEN DER BATTERIE (FIG 1)

1. Verriegeln Sie den Bohrabzug, indem Sie den Drehrichtungswähler in die zentrale Position bringen.
2. Drücken Sie die Batterieentriegelungstaste an der Batterie, um sie zu lösen.
3. Fassen Sie den Akku und nehmen Sie ihn aus dem Werkzeug.

## TRIGGERKNOPF (FIG. 2)

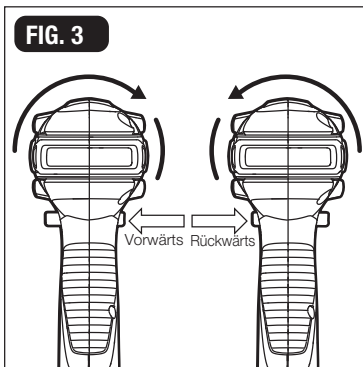


1. Drücken Sie den Auslöseschalter, um den Schlagschrauber einzuschalten.
2. Lassen Sie den Auslöser los, um ihn auszuschalten.

## UNTERSCHIEDLICHE GESCHWINDIGKEIT

Der Trigger mit variabler Geschwindigkeit bietet eine höhere Geschwindigkeit bei erhöhtem Triggerdruck und eine niedrigere Geschwindigkeit bei reduziertem Triggerdruck.

## RICHTUNG DES DREHWAHLSCHALTERS (VORWÄRTS / VERRIEGELT / RÜCKWÄRTS) (FIG. 3)

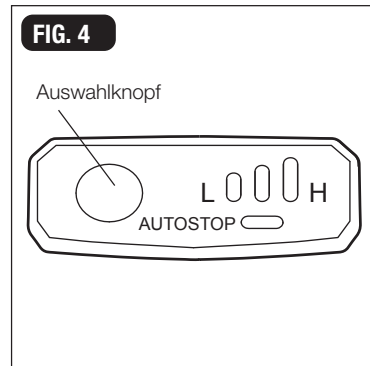


Die Drehrichtung ist umkehrbar und wird über einen Wahlschalter über dem Abzug gesteuert. Halten Sie den Schlagschrauber in der normalen Betriebsposition: Positionieren Sie den Drehrichtungswähler links vom Werkzeug, um ihn im Uhrzeigersinn zu drehen. Positionieren Sie den Drehrichtungswähler rechts vom Werkzeug, um ihn gegen den Uhrzeigersinn zu drehen. Wenn Sie den Schalter auf OFF (Zentralverriegelung) stellen, wird das Risiko eines versehentlichen Startens bei Nichtgebrauch verringert.

**HINWEIS: Um eine Beschädigung der Zahnräder zu vermeiden, lassen Sie den Schlagschrauber immer vollständig zum Stillstand kommen, bevor Sie die Drehrichtung ändern.**

**HINWEIS: Der Schlagschrauber funktioniert nur, wenn die Richtung des Drehschalters nach links oder rechts vollständig eingerastet ist.**

## AUSWAHLSCHALTER (FIG. 4)



**HINWEIS:** Der Schlagschrauber verfügt über 3 Geschwindigkeiten und einen automatischen Stopmodus. Diese Funktionen sind jedoch nur verfügbar, wenn das Werkzeug im Uhrzeigersinn läuft.

**HINWEIS:** Der Modus kann nur geändert werden, wenn die Modusanzeige leuchtet. Die Modusanzeige erlischt nach etwa einer Minute automatisch.

## ⚠️ WARNUNG:

Wenn Sie den automatischen Abschaltmodus verwenden, ziehen Sie den Abzug nur einmal. Wenn Sie den Abzug erneut betätigen, wird das neu aufgebrachte Drehmoment zum zuvor aufgebrachten Drehmoment addiert, wodurch möglicherweise die Schraube / Mutter beschädigt wird.

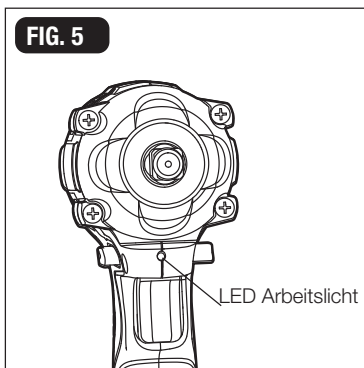
# BENUTZUNG

1. Befestigen Sie die Batterie am Schlagschrauber.
2. Positionieren Sie den Drehrichtungswähler links vom Werkzeug, um ihn im Uhrzeigersinn zu drehen, und drücken Sie den Auslöser, um die Modusanzeige zu beleuchten.
3. Drücken Sie die Modusauswahltaste. Es stehen 3 Geschwindigkeiten zur Verfügung: niedrig, mittel und hoch. Halten Sie die Modusauswahltaste drei Sekunden lang gedrückt: Der Auto-Stop-Modus ist verfügbar und die Auto-Stop-Anzeige leuchtet. Wenn die Schraube / Mutter fest genug ist, stoppt das Werkzeug nach etwa einer Sekunde den Aufprall und die Drehung.
4. Um die automatische Abschaltfunktion zu deaktivieren, halten Sie die Modusauswahltaste drei Sekunden lang gedrückt: Die automatische Abschaltung wird ausgeschaltet.

## ELEKTRISCHE BREMSE

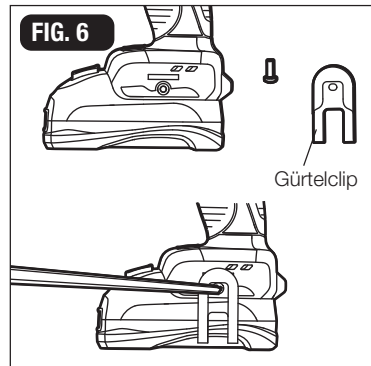
Der Schlagschrauber ist mit einer elektrischen Bremse ausgestattet. Wenn der Auslöser losgelassen wird, rastet die elektrische Bremse automatisch ein, um die Drehung schnell zu stoppen.

## LED ARBEITSLICHT (FIG. 5.)



Das LED-Licht an der Basis des Schlagschraubers leuchtet auf, wenn der Auslöser gedrückt wird. Dies liefert zusätzliches Licht auf der Oberfläche des Werkstücks, wenn es in Bereichen mit schlechten Lichtverhältnissen verwendet wird. Das Licht erlischt automatisch innerhalb von 10 Sekunden nach Loslassen des Auslösers.

## MONTAGE DES GÜRTELCLIPS (FIG. 6)



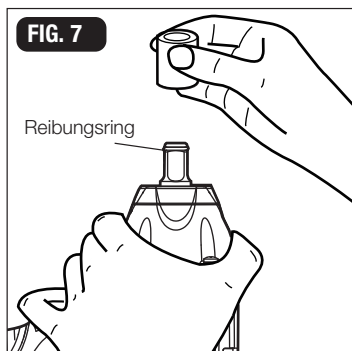
1. Richten Sie die Rippe am Gürtelclip auf das Loch in der Basis des Schlüssels aus.
2. Setzen Sie die Schraube ein und ziehen Sie sie mit einem Schraubendreher (nicht im Lieferumfang enthalten) fest an.

## ENTFERNEN DES GÜRTELCLIPS

1. Lösen Sie mit einem Schraubendreher (nicht im Lieferumfang enthalten) die Schraube, mit der der Gürtelclip am Schlüssel befestigt ist.
2. Entfernen Sie die Schraube und den Gürtelclip.

## BENUTZUNG

### INSTALLIEREN UND ENTFERNEN EINES STECKSCHLÜSSELS (FIG. 7)



**HINWEIS: Der Reibungsring verhindert, dass sich der Steckschlüssel während des Betriebs vom Vierkanttrieb des Schlagschraubers löst.**

Verwenden Sie für Schrauben und Muttern immer die richtige Steckschlüsselgröße. Ein nicht richtig ausgewählter Steckschlüssel führt zu einem ungenauen und uneinheitlichen Anzugsmoment und/oder beschädigt die Schraube oder Mutter.

1. Verriegeln Sie den Abzug, indem Sie den Drehrichtungswähler auf OFF (Mitte) stellen.
2. Um den Steckschlüssel zu installieren, schieben Sie ihn auf den Vierkanttrieb des Werkzeugs, bis er im Gehäuse einrastet.
3. Um die Steckschlüssel zu entfernen, ziehen Sie ihn einfach heraus.

### INSTALLIEREN DER HALTERUNG

**HINWEIS:** Halten Sie den Schlagschrauber immer im rechten Winkel zum Befestigungselement, um eine Beschädigung des Befestigungskopfs zu vermeiden.

Zum Feststellen:

1. Beginnen Sie mit dem Einstecken des Befestigungselements von Hand oder in das Gegenstück mit Gewinde (z. B. Mutter auf Schraube oder Schraube in Mutter oder Gewindebohrung).

2. Schieben Sie die Schlagstecker mit der richtigen Größe, die sicher am Schlagschrauber befestigt ist, auf die Mutter oder den Schraubenkopf.

3. Stellen Sie den Drehrichtungswähler in die Position VORWÄRTS und wählen Sie eine geeignete Geschwindigkeit oder die automatische Stopfunktion. Halten Sie das Werkzeug fest, während Sie den Auslöseschalter drücken. Die Schlagbuchse dreht das Befestigungselement und der Schlag beginnt, wenn das Befestigungselement auf Widerstand stößt.

Zum Lösen:

1. Schieben Sie die Schlagstecker mit der richtigen Größe, die sicher am Schraubensteckschlüssel befestigt ist, auf den Schraubenkopf.
2. Stellen Sie den Drehrichtungswähler in die Position RÜCKWÄRTS. Halten Sie das Werkzeug fest, während Sie den Auslöser drücken. Das Werkzeug beginnt sofort mit dem Schlag.
3. Sobald sich das Befestigungselement gelöst hat, beginnt es die Verbindung zu lösen. Achten Sie darauf, dass sich ein Befestigungselement nicht frei drehen lässt, wenn es nicht mehr mit seinem Gegenstück mit Gewinde in Eingriff steht, da es möglicherweise aus der Fassung herausgeschleudert wird.

### RATSCHLÄGE

Das geeignete Anzugsmoment kann je nach Art oder Größe der Schraube, dem Material des zu befestigenden Teils usw. unterschiedlich sein.

**HINWEIS:** Halten Sie das Werkzeug gerade entlang der Achse der Schraube oder Mutter.

**HINWEIS:** Übermäßiges Anzugsmoment kann die Schraube / Mutter oder den Sockel beschädigen. Führen Sie vor Beginn Ihrer Arbeit immer einen Testlauf durch, um die richtige Befestigungszeit für Ihre Schraube oder Mutter zu ermitteln.

Üben Sie mit einer Vielzahl von Bindungen und beachten Sie, wie lange es dauert, bis das gewünschte Drehmoment erreicht ist. Überprüfen Sie die Dichtheit mit einem Drehmomentschlüssel.

Wenn die Befestigungselemente zu fest sind, reduzieren Sie die Schlagdauer. Wenn sie nicht fest genug sind, erhöhen Sie die Schlagdauer.



## BENUTZUNG

Halten Sie das Werkzeug fest und setzen Sie den Sockel über die Schraube oder Mutter. Schalten Sie das Werkzeug ein und ziehen Sie die Schraube oder Mutter mit dem entsprechenden Drehmoment fest. Das zum Lösen eines Befestigungselements erforderliche Drehmoment beträgt je nach Zustand der Kontaktfläche durchschnittlich 75% bis 80% des Anzugmoments.

Wenn jedoch Rost oder Korrosion zum Festfressen führen, ist möglicherweise mehr Drehmoment erforderlich. Überprüfen Sie das Drehmoment nach der Befestigung immer mit einem Drehmomentschlüssel. Das Anzugmoment wird von einer Vielzahl von Faktoren beeinflusst, darunter:

- Der Steckschlüssel

Wenn Sie nicht die richtige Steckschlüsselgröße verwenden, wird das Anzugmoment verringert. Eine verschlissene Steckschlüssel (Verschleiß am sechseckigen Ende oder am Ende des leitenden Quadrats) führt zu einer Verringerung des Anzugmoments.

- Der Bolzen

Obwohl der Drehmomentkoeffizient und die Schraubenklasse gleich sein können, unterscheidet sich das richtige Anzugmoment in Abhängigkeit vom Schraubendurchmesser. Obwohl die Bolzendurchmesser gleich sind, unterscheidet sich das richtige Anzugmoment in Abhängigkeit vom Drehmomentkoeffizienten, der Bolzenklasse und der Bolzenlänge.

- Das Zubehör

Die Verwendung eines universellen Kardanrahmens oder einer Verlängerung (beide separat erhältlich) verringert die Befestigungskraft des Schlagschraubers etwas. Zum Ausgleich etwas länger drücken.

- Die Arbeitstechnik

Die Art und Weise, wie Sie das Werkzeug oder das zu befestigende Material halten, wirkt sich auf das Drehmoment aus.



Tragen Sie immer eine Schutzbrille oder eine Schutzbrille mit Seitenschutz, wenn Sie das Elektrowerkzeug bedienen oder Staub ausblasen. Wenn der Vorgang Staub erzeugt, tragen Sie auch eine Staubmaske.



Lassen Sie niemals Bremsflüssigkeiten, Benzin, Produkte auf Erdölbasis, eindringende Öle usw. zurück. mit Kunststoffteilen in Kontakt kommen. Chemikalien können Kunststoff beschädigen, schwächen oder zerstören, was zu schweren Verletzungen führen kann.

## BENUTZUNG

### 1. Ladevorgang

Der Akku wird teilweise aufgeladen geliefert.

Laden Sie das Ladegerät vor dem ersten Gebrauch vollständig auf, um die beste Akkuleistung zu gewährleisten.

Das Aufladen eines vollständig entladenen DB1850-Akkus dauert bei Temperaturen von 0°C - 40°C ungefähr 50 Minuten.

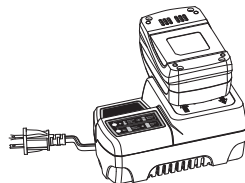
1. Laden Sie den Lithium-Ionen-Akku mit dem richtigen Ladegerät auf.
2. Schließen Sie das Ladegerät an die Stromversorgung an.
3. Richten Sie die hervorstehende Rippe am Akku auf die Nut im Ladegerät aus.
4. Schieben Sie den Akku in das Ladegerät
5. Das Ladegerät kommuniziert mit dem Akku, um den Zustand des Akkus zu beurteilen.

6. Die LED-Ladeanzeigen blinken während des Ladevorgangs von rechts nach links, dies ist Teil des normalen Ladevorgangs.

7. Wenn der Ladevorgang abgeschlossen ist, leuchtet die grüne LED-Anzeige weiter und die LED-Ladeanzeige leuchtet auf, wenn der Netzschalter gedrückt wird und sich der Akku im Ladegerät befindet.

8. Der Akku wird vollständig aufgeladen, wenn er im Ladegerät verbleibt, aber nicht überladen.

HINWEIS: Das Ladegerät kann mit den meisten Generatoren und Wechselrichtern mit einer Leistung von 300 Watt oder mehr betrieben werden.



## WARTUNG

Das Werkzeug kann mit trockener Druckluft so effizient wie möglich gereinigt werden. Tragen Sie immer eine Schutzbrille, wenn Sie Werkzeuge mit Druckluft reinigen.

Verwenden Sie beim Reinigen von Kunststoffteilen keine Lösungsmittel. Die meisten Kunststoffe können durch verschiedene Arten von handelsüblichen Lösungsmitteln und deren Verwendung beschädigt werden.

Verwenden Sie saubere Lappen, um Schmutz, Staub, Öl, Fett usw. zu entfernen.

3. Überprüfen Sie bewegliche Teile auf lose Schrauben, Fehlausrichtung oder Bindung oder andere Bedingungen, die den Betrieb beeinträchtigen können.

4. Wenn ungewöhnliche Geräusche oder Vibrationen auftreten, schalten Sie das Werkzeug sofort aus und beheben Sie das Problem, bevor Sie es weiter verwenden.

5. Entfernen Sie den Akku vom Schlagschrauber, bevor Sie ihn reinigen oder warten. Die Verwendung von Druckluft kann die effektivste Reinigungsmethode sein. Tragen Sie immer eine Schutzbrille, wenn Sie Werkzeuge mit Druckluft reinigen.

### VOR JEDER BENUTZUNG

1. Überprüfen Sie den Schlagschrauber, den Ein- / Ausschalter und das Zubehör auf Beschädigungen.
2. Überprüfen Sie, ob Teile beschädigt, fehlen oder abgenutzt sind.

### SCHMIEREN

Alle Lager in diesem Werkzeug sind mit einer ausreichenden Menge an hochwertigem Schmiermittel für die Lebensdauer des Geräts unter normalen Bedingungen geschmiert. Daher ist keine zusätzliche Schmierung erforderlich.

## ZUBEHÖR

Nein

## FEHLERBEHEBUNG

PROBLEM	GRUND	LÖSUNG
Der Schlagschrauber funktioniert nicht.	Der Akku ist leer.	Laden Sie den Akku auf.
Der Schlagschrauber funktioniert nicht und die LED Lampen am Apparat blinken.	Das Gerät ist überhitzt.	Lassen Sie das Gerät abkühlen.
Der Schlagschrauber funktioniert nicht und die LED Lampen am Akku blinken.	Der Akku ist überhitzt.	Lassen Sie den Akku abkühlen.



## EC DECLARATION OF CONFORMITY

Original Language

Brand Name : Mighty Seven

Serial Number: Please refer to the tool

Cordless Impact Wrench

Item No.:DW-401 (Tool)

to which this declaration applies, complies with these normative documents:

- Machinert Directive : 2006 / 42 / EC
- EMC : 2014 / 30 / EU

and conforms to the following EN standard,

- EN 62841-1-1:2015+AC:2015
- EN 62841-2-2:2014+AC:2015
- EN 55014-1:2017
- EN 55014-2:2015

Battery Charger

Item No.: DB1850 (Battery) DC18A (Charger)

to which this declaration applies, complies with these normative documents:

- LVD : 2014 / 35 / EU
- EMC : 2014 / 30 / EU

and conforms to the following EN standards

- EN 60335-1:2012+A11+A13+A14+A2
- EN 60335-2-29:2004+A2+A11
- EN 55014-1:2017
- EN 61000-3-2:2014
- EN 55014-2:2015
- EN 62233:2008
- EN 61000-3-3:2013

Declared in: Taichung, Taiwan

Dated:2020/07/01

**Signature**

Jay Lin

Declared by: QA Manager



**Manufacturer:**

**Mighty Seven International Co., Ltd.**

No. 70-25, Ching Quang Rd., Wujih Dist.,  
Taichung City, 41466 Taiwan.  
<http://www.mighty-seven.com>

Authorized contact, to compile the technical files :

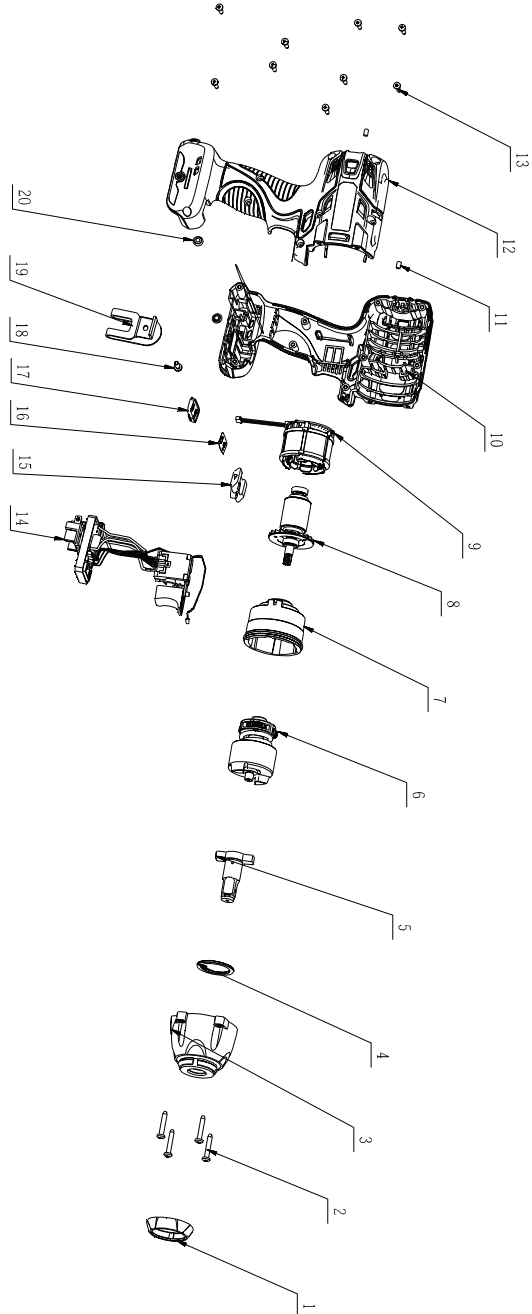
**King Tony France**

3 Rue des imprimeurs ZI République Nord 1.  
86000 POITIERS FRANCE  
TEL: (+33)5-49-30-30-90  
E-MAIL: [christian.aubineau@kingtony.eu](mailto:christian.aubineau@kingtony.eu)



# Cordless Impact Wrench

Item No : DW-401



# Part List

Item No : DW-401


NO.	PART NO.	DESCRIPTION	Q'TY
1	DW-401P01	Decorative Cover	1
2	DW-401T02	Tapping Screw(4PCS)	1SET
3	DW-401P03	Front Gear Housing ASSY	1
4	DW-401P04	Washer	1
5	DW-401P05	Output Shaft ASSY	1
6	DW-401P06	Impact Block ASSY	1
7	DW-401P07	Rear Gear Housing ASSY	1
8	DW-401P08	Rotor Assembly	1
9	DW-401P09	Stator	1
10	DW-401P10	Left Housing ASSY	1
11	DW-401T11	Rubber Stick(2PCS)	1SET
12	DW-401P12	Right Housing ASSY	1
13	DW-401T13	Tapping Screw(9PCS)	1SET
14	DW-401P14	Electric Assembly	1
15	DW-401P15	F/R Button	1
16	DW-401P16	Indicator Label	1
17	DW-401P17	Switch Button Cover	1
18	DW-401P18	Screw	1
19	DW-401P19	Hook	1
20	DW-401T20	Nut(2PCS)	1SET

# Garantie Karte

## Begrenzte Hersteller-Garantie

**Mighty Seven International Co., LTD.** bietet eine begrenzte Garantie auf durch **Mighty Seven** hergestellte und durch die weltweit befugten Weiterverkäufer verkauften Produkte. Die begrenzte Garantie wird auf defektes Material und Verarbeitung angewendet, aber nicht bei Missbrauch, unsachgemässer Anwendung oder Ausstellungswaren. Wenn Sie ein defektes **Mighty Seven** Produkt haben, senden Sie es bitte auf Ihre Kosten zur Verkaufsstelle, mit Ihrer Adresse und Kontaktdaten. Reparaturen oder Austausch sind wie oben beschrieben Garantieleistungen; andernfalls werden Service oder Reparaturen in Rechnung gestellt.

## Bitte diese Karte für Garantiefälle aufbewahren

<b>Kaufdatum</b>	<b>Modell Nr.</b>
<b>Garantieablaufdatum:</b>	<b>Seriennummer</b>
<b>Händlerstempel</b>	
	

Kaufdatum:	Modell Nr.:
Garantieablaufdatum:	Seriennummer:
Name:	
Name der Firma:	
Adresse:	
Tel:	Fax:
E-Mail:	
<b>Geschäftsart:</b>	
<input type="checkbox"/> Landwirtschaft	<input type="checkbox"/> Lack & Karosserie Reparatur
<input type="checkbox"/> Allgemeine Autoreparatur	<input type="checkbox"/> Öffentliche Arbeit / Regierungs-Dienstprogramme
<input type="checkbox"/> Reifen	<input type="checkbox"/> Fabrik
<input type="checkbox"/> Lkw-Wartung / Reparatur	<input type="checkbox"/> Heimgebrauch
<input type="checkbox"/> Autohersteller	<input type="checkbox"/> Andere

# NORMAS GENERALES DE SEGURIDAD

## ADVERTENCIAS GENERALES DE SEGURIDAD PARA HERRAMIENTA ELÉCTRICA PORTÁTIL



Lea todas las instrucciones.

Si no se observan las siguientes precauciones de seguridad, se pueden producir descargas eléctricas, incendios y/o lesiones personales graves.

### GUARDE ESTAS INSTRUCCIONES

El término "herramienta eléctrica" en todas las siguientes advertencias se refiere a su herramienta eléctrica alimentada por la red eléctrica (con cable) o por batería (sin cable).

### Seguridad en el área de trabajo

- 1) Mantenga su área de trabajo limpia y bien iluminada. Las zonas desordenadas u oscuras presentan un riesgo de accidentes
- 2) No utilice nunca herramientas eléctricas en entornos explosivos, por ejemplo, en presencia de líquidos, gases o polvos inflamables. Las herramientas eléctricas crean chispas que pueden encender el polvo o el humo.
- 3) Nunca permita que los niños u otras personas se acerquen a la herramienta eléctrica mientras está en uso. Cualquier distracción puede causar la pérdida de control de la unidad.

### Seguridad eléctrica

- 1) Los enchufes de las herramientas eléctricas deben coincidir con la toma de corriente. Nunca modifique el enchufe de ninguna manera. No utilice enchufes adaptadores con herramientas eléctricas con conexión a tierra. Los enchufes no modificados y las tomas de corriente correspondientes reducirán el riesgo de descargas eléctricas.
- 2) Evitar el contacto del cuerpo con superficies conectadas a tierra o a la masa como tuberías, radiadores, hornos o refrigeradores. El riesgo de descarga eléctrica aumenta cuando el cuerpo está conectado a tierra.
- 3) No exponga las herramientas eléctricas a la lluvia o a la humedad. La penetración de agua en un aparato eléctrico aumenta el riesgo de descarga eléctrica.

- 4) No manipule mal el cable. No lleve la herramienta por el cable. Desconecte el cable de la corriente sólo tirando del enchufe. Protege el cable del aceite, el calor, los bordes afilados y las partes móviles. Un cable dañado o enredado aumenta el riesgo de una descarga eléctrica.
- 5) Para el trabajo en el exterior, use sólo cables de extensión aprobados para este fin. El uso de un cable de extensión compatible para uso en exteriores reduce el riesgo de descargas eléctricas.
- 6) Si es inevitable utilizar la herramienta eléctrica en un lugar húmedo, utilice un Interruptor de Circuito de Falla a Tierra (GFCI). El uso de un GFCI reduce el riesgo de una descarga eléctrica.

### Seguridad de las personas

- 1) Tenga cuidado. Presta atención con lo que está haciendo y trabaje con calma y reflexión con una herramienta eléctrica. No utilice el aparato si está cansado, si no está concentrado o si su capacidad de reacción se ve afectada por la ingestión de drogas, alcohol o medicamentos. Un momento de desatención durante el uso de una herramienta eléctrica puede causar lesiones graves. . .
- 2) Lleve ropa, equipo de protección individual y siempre gafas de seguridad. El uso de ropa y equipo de protección individual, como una máscara respiratoria, zapatos antideslizantes, cascos o protecciones acústicas, reduce el riesgo de lesiones.
- 3) Evita el encendido involuntario. Asegúrese de que la herramienta eléctrica esté en la posición "OFF" antes de insertar el enchufe en la toma de corriente y/o antes de conectar la batería. Llevar el aparato con el dedo en el interruptor o enchufarlo mientras está encendido puede causar accidentes.
- 4) Mantenga todas las herramientas y llaves alejadas del aparato antes de encenderlo. Una herramienta o una llave en una parte móvil del aparato puede causar lesiones.
- 5) Evite cualquier posición anormal del cuerpo. Encuentre una posición segura y mantén el equilibrio en todo momento. Esto le dará un mejor control del aparato eléctrico en caso de una situación inesperada.

## NORMAS GENERALES DE SEGURIDAD

- 6) Usar ropa adecuada. No use ropa suelta o joyas. Mantenga el pelo, la ropa y los guantes alejados de las partes móviles. La ropa suelta, las joyas y el pelo largo pueden quedar atrapados en las partes móviles.
- 7) Si se pueden instalar dispositivos de extracción y recolección de polvo, asegúrese de que estén bien sujetos y se utilicen adecuadamente. El uso de estos dispositivos reduce los riesgos debidos al polvo.

### Funcionamiento y mantenimiento de la herramienta eléctrica

- 1) No sobrecargue el aparato. Utilice la herramienta eléctrica adecuada para el trabajo. Trabaja mejor y más seguro en el campo de trabajo indicado utilizando la herramienta apropiada.
- 2) No utilice herramientas eléctricas con interruptores defectuosos. Una herramienta eléctrica cuyo interruptor ya no funciona es peligrosa y debe ser reparada.
- 3) Retire el enchufe de alimentación y/o las baterías de la herramienta antes de hacer ajustes, antes de cambiar accesorios o antes de guardar el aparato. Esta medida de precaución evita que la herramienta se encienda inadvertidamente.
- 4) Mantenga las herramientas eléctricas no utilizadas fuera del alcance de los niños. Impedir el uso del aparato a personas que no estén familiarizadas con él o que no hayan leído estas instrucciones. Las herramientas eléctricas son peligrosas si son usadas por personas inexpertas.
- 5) Mantenga cuidadosamente la herramienta eléctrica. Compruebe que las piezas móviles estén alineadas y no se peguen, y que no haya piezas rotas o dañadas en la medida en que afecten al funcionamiento de la herramienta. Haga reparar cualquier parte dañada antes de usarla. Muchos accidentes se deben al mal mantenimiento de las herramientas eléctricas.
- 6) Afila tus herramientas de corte y límpialas. Las herramientas de corte con bordes afilados se atascan menos y son más fáciles de guiar.

- 7) Utilice la herramienta eléctrica, los accesorios, las cuchillas, etc. , según sea necesario, de acuerdo con estas instrucciones y en la forma detallada para este tipo de aparatos. Tener en cuenta las condiciones de trabajo y las actividades realizadas. El uso de herramientas eléctricas para aplicaciones distintas a las previstas puede conducir a situaciones peligrosas.

### Utilización y mantenimiento de la herramienta con batería

- 1) Cargue la batería recargable sólo en los cargadores recomendados por el fabricante. El cargador destinado a un determinado tipo de batería presenta un riesgo de incendio cuando se utiliza con un tipo de batería diferente.
- 2) Utilice únicamente las baterías destinadas a este fin en las herramientas eléctricas. El uso de otras baterías puede causar accidentes y presenta un riesgo de incendio.
- 3) Cuando la batería no esté en uso, manténgala alejada de objetos metálicos, como clips, monedas, llaves, clavos, tornillos u otros pequeños objetos metálicos que puedan establecer una conexión de un terminal a otro. Un cortocircuito entre los terminales de la batería puede causar quemaduras o fuego.
- 4) En condiciones abusivas, un líquido puede ser expulsado de la batería; evite el contacto. En caso de contacto accidental, enjuague con agua. Si el líquido entra en contacto con los ojos, consulte también a un médico. El líquido expulsado de la batería puede causar irritación o quemaduras.

### SERVICIO

1. Haga que su herramienta eléctrica sea reparada por un técnico cualificado utilizando sólo piezas de recambio idénticas. Esto asegurará que se mantenga la seguridad de la herramienta eléctrica.



## INSTRUCCIONES DE SEGURIDAD

El propósito de los símbolos de seguridad es atraer su atención a los posibles peligros. Los símbolos de seguridad y las explicaciones con ellos merecen su cuidadosa atención y comprensión. Los símbolos de advertencia no eliminan por sí mismos ningún peligro. Las instrucciones y advertencias que dan no sustituyen a las medidas adecuadas de prevención de accidentes.

### **ADVERTENCIA:**

**Asegúrese de leer y entender todas las instrucciones de seguridad de este manual, incluyendo todos los símbolos de alerta de seguridad como "PELIGRO", "ADVERTENCIA" y "PRECAUCIÓN" antes de utilizar esta herramienta. Si no se siguen todas las instrucciones que se indican a continuación, se pueden producir descargas eléctricas, incendios y/o lesiones personales graves.**

---

## SIGNIFICACIÓN DE LOS SÍMBOLO



**SÍMBOLO DE ALERTA DE SEGURIDAD:** Indica PELIGRO, ADVERTENCIA O PRECAUCIÓN. Puede utilizarse junto con otros símbolos o pictogramas.

### **PELIGRO:**

**Indica una situación de peligro inminente que, si no se evita, provocará la muerte o lesiones graves**

### **ADVERTENCIA:**

**Indica una situación potencialmente peligrosa que, de no evitarse, podría provocar la muerte o lesiones graves.**

### **PRECAUCIÓN:**

**Indica una situación potencialmente peligrosa que, de no evitarse, podría dar lugar a lesiones menores o moderadas.**



### **AVISO:**

**(Sin el símbolo de alerta de seguridad) Indica una situación que puede resultar en daños materiales.**

**¡GUÁRDESE ESTAS INSTRUCCIONES!**

## SÍMBOLOS DE SEGURIDAD

Algunos de los siguientes símbolos pueden utilizarse en esta herramienta. Por favor, estúdielos y aprenda su significado. La correcta interpretación de estos símbolos le permitirá manejar la herramienta mejor y con mayor seguridad.

Símbolo	Nombre	Designación/ Explicación
V	Voltios	Voltaje
A	Amperios	Corriente
Hz	Hertzios	Frecuencia (ciclos por segundo)
W	Watts	Potencia
$\sim$	Corriente alternativa	Tipo de corriente
—	Corriente continua	Tipo o característica de la corriente
$n_0$	Velocidad sin carga	Velocidad de rotación en vacío
lbs	Libras	Peso
	Construcción de clase II	Construcción con doble aislamiento
.../min	Por minuto	Revoluciones, golpes, órbitas de velocidad de superficie, etc. . . , por minuto
	Usar gafas de seguridad	<b>ADVERTENCIA:</b> El funcionamiento de cualquier herramienta eléctrica puede provocar la proyección de objetos extraños a los ojos, lo que puede causar graves daños en los ojos. Antes de comenzar a utilizar una herramienta eléctrica, siempre use gafas de seguridad o gafas de seguridad con protectores laterales y un protector de cara completo cuando sea necesario. Recomendamos una máscara de seguridad de visión amplia para usar sobre las gafas o gafas de seguridad estándar con protectores laterales. Utilice siempre la protección ocular que está marcada para cumplir con ANSI Z87.1.

### **ADVERTENCIA:**

Para garantizar la seguridad y la fiabilidad, todas las reparaciones deben ser realizadas por un técnico de servicio cualificado.

## NORMAS DE SEGURIDAD ESPECÍFICAS

### ADVERTENCIAS GENERALES DE SEGURIDAD PARA HERRAMIENTA ELÉCTRICA PORTÁTIL

1. Sujeta la llave de impacto por las superficies de agarre aisladas durante cualquier operación en la que la punta pueda entrar en contacto con cables ocultos o con su propio cable. El contacto con un cable "bajo tensión" también hará que las partes metálicas expuestas de la herramienta estén "bajo tensión" y puede electrocutar al operador

2. Use la batería sólo con el cargador citado más abajo:

BATERÍA	CARGADOR
DB-1850	DC-18A

3. Siempre use gafas de seguridad cuando use esta herramienta.

4. Asegúrese de que el interruptor horario/ antihorario esté en la posición OFF antes de insertar una batería. Insertar la batería en un dispositivo de electroportátil encendido puede causar accidentes.

5. Inspeccione cuidadosamente el vaso de impacto para ver si hay grietas o signos de desgaste antes de instalarlo en la llave de impacto.

6. Las puntas, los vasos y las herramientas se calientan durante la operación. Usa guantes cuando los toques.

7. Retire la batería antes de cambiar los accesorios. El arranque accidental puede ocurrir porque los dispositivos electroportátiles con una batería insertada están en un estado de funcionamiento permanente.

### ADVERTENCIA:

Algunos polvos creados por el lijado, el aserrado, la trituración, la perforación y otras actividades de construcción contienen sustancias químicas que el estado de California sabe que causan cáncer, defectos de nacimiento u otros daños reproductivos. Algunos ejemplos de estos productos químicos son:

- El plomo que proviene de las pinturas a base de plomo
- Sílice cristalina de ladrillos y cemento y otros productos de albañilería
- El arsénico y el cromo de la madera que reacciona químicamente.

El riesgo de estas exposiciones varía dependiendo de la frecuencia con la que realice este tipo de trabajo. Para reducir su exposición a estos productos químicos: trabaje en un área bien ventilada y use equipo de seguridad aprobado, como esas máscaras para el polvo que están especialmente diseñadas para filtrar partículas microscópicas.

## Instrucciones de seguridad para el cargador

1. Antes de utilizar el cargador de baterías, lea todas las instrucciones y advertencias de este manual y sobre el cargador, la batería y el producto de la batería para evitar un mal uso y posibles lesiones o daños.

### **ADVERTENCIA:**

Para reducir el riesgo de descargas eléctricas o daños en el cargador y la batería, cargue sólo las baterías de iones de litio marcadas específicamente en el cargador. Otros tipos de baterías pueden explotar, causando lesiones o daños.

2. No utilice el cargador al aire libre o en condiciones de humedad. Si el agua entra en el cargador, el riesgo de una descarga eléctrica aumenta.

3. El uso de un accesorio no recomendado o vendido por el fabricante del cargador puede causar un riesgo de incendio, descarga eléctrica o lesiones.

4. No manipule mal el cable o el cargador. Nunca lleve el cargador por el cable. Nunca desconecte la herramienta de la red eléctrica tirando del cable. Esto podría dañar el cable o el cargador y crear un riesgo de descarga eléctrica. Reemplace cualquier cable dañado inmediatamente.

5. Asegúrese de que el cordón se coloca en un lugar seguro para que nadie pueda pisarlo o tropezar con él, y que no esté sujeto a daños o tensiones de ninguna otra manera. Esto reducirá el riesgo de caídas accidentales que podrían causar lesiones y dañar el cable, creando un riesgo de choque.

6. Proteja el cable y el cargador del calor para evitar que se dañen la carcasa y las piezas internas.

7. Proteja las partes plásticas de la gasolina, del aceite, de los productos petrolíferos, etc.. Estos materiales contienen sustancias químicas que pueden dañar, debilitar o destruir el plástico.

8. Sólo use un cable de extensión si es absolutamente necesario. El uso de un cable de extensión inadecuado puede suponer un riesgo de incendio, descarga eléctrica o electrocución. Si se va a utilizar un cable de extensión, asegúrese de que:

El enchufe del cable tiene el mismo número de clavijas que el del cargador y que las clavijas tienen la misma forma y tamaño.

El cordón está bien cableado y en buenas condiciones.

El tamaño es lo suficientemente grande para la corriente nominal del cargador como se especifica a continuación:

Longitud del cable (pies)	25'	50'	100'
Tamaño del cable (AWG)	16'		

9. No utilice el cargador con un cable de alimentación o enchufe dañado debido al riesgo de cortocircuito y de descarga eléctrica. Si el cargador está dañado, hágalo reparar por un técnico de servicio autorizado de **M7**.

10. No haga funcionar el cargador si ha recibido un fuerte golpe, se ha caído o ha sufrido algún otro tipo de daño. Lleve el cargador a un técnico autorizado de **M7** para que realice una comprobación eléctrica a fin de determinar si el cargador está en buen estado de funcionamiento.

11. No desmonte el cargador. Llévelo a un técnico de servicio autorizado de **M7** cuando se requiera un servicio o una reparación. Un cargador mal montado puede suponer un riesgo de descarga eléctrica, electrocución o incendio.

12. Desenchufe el cargador de la toma de corriente antes de limpiarlo o repararlo. Esto reducirá el riesgo de una descarga eléctrica.

13. Desconecte el cargador de la fuente de alimentación cuando no esté en uso. Esto reducirá el riesgo de descargas eléctricas y daños al cargador si caen objetos metálicos en la apertura. Esto también evitará daños en caso de sobretensión.

14. Peligro de descarga eléctrica. No toque la parte no aislada del conector de salida o el terminal de la batería no aislada.

15. Guarda estas instrucciones con cuidado. Consúltelas con frecuencia y utilícelas para informar a otros usuarios de este instrumento. Si le presta esta herramienta a otra persona, presénteles también estas instrucciones para evitar el mal uso del producto y posibles lesiones.

### **ADVERTENCIA:**

Algunos polvos creados por el corte pueden contener sustancias químicas conocidas por causar cáncer, malformaciones congénitas u otros daños reproductivos. Entre los ejemplos de estas sustancias químicas se encuentran:

- El plomo que proviene de las pinturas a base de plomo,
- El arsénico y el cromo de la madera que reacciona químicamente.

El riesgo de estas exposiciones varía dependiendo de la frecuencia con la que realice este tipo de trabajo. Para reducir su exposición a estos productos químicos: trabaje en un área bien ventilada y use equipo de seguridad aprobado.

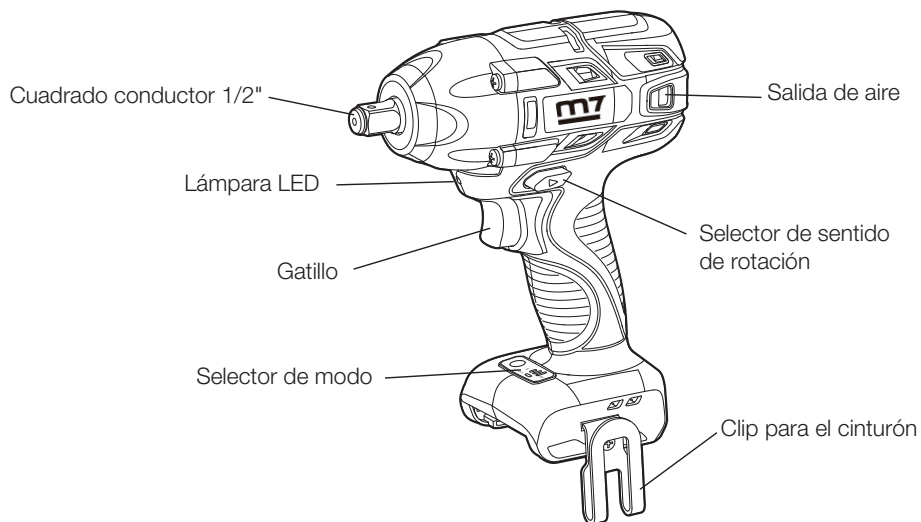
## DESCRIPCIÓN DE LA HERRAMIENTA

### FUNCIONAMIENTO



Esta herramienta está diseñada para apretar y aflojar pernos y tuercas.

### 1. ESQUEMA GENERAL



## 2. CARACTERÍSTICAS DE LA HERRAMIENTA

Modelo	DW-401
Cuadrado conductor	1/2" (12.7mm)
Tamaño de los perno	M6 ~ M16
Batería	Li-ion
Par máximo	813 Nm / 600 ft-lb
Peso	1.48kg
Rango de temperaturas (°C)	0-40

### NOTA:

Debido al programa de desarrollo constante operado por **mt7**, las características mencionadas aquí están sujetas a cambios sin previo aviso.

## CARACTERÍSTICAS

Velocidad de rotación libre	I:0-1100 RPM II:0-1600 RPM III:0-2200 RPM
Impactos	I:0-1500 IPM II:0-2500 IPM III:0-3000 IPM
Par	I: 200 ft.lb    271 <b>Nm</b> II: 400 ft.lb    542 <b>Nm</b> III: 600 ft.lb    813 <b>Nm</b>
Par modo "Autostop"	I: 80 ft.lb    108 <b>Nm</b> II: 120 ft.lb    163 <b>Nm</b> III: 160 ft.lb    217 <b>Nm</b>

Presión sonora (dBA)

Presión sonora (incertidumbre K = 3 dB (A))                      98 dBA

Nivel de potencia acústica (Incertidumbre K = 3 dB(A))    109 dBA

Nivel de vibración (m/s<sup>2</sup>)

(Incertidumbre K = 1.5 m/s<sup>2</sup>)    18.2 m/s<sup>2</sup>

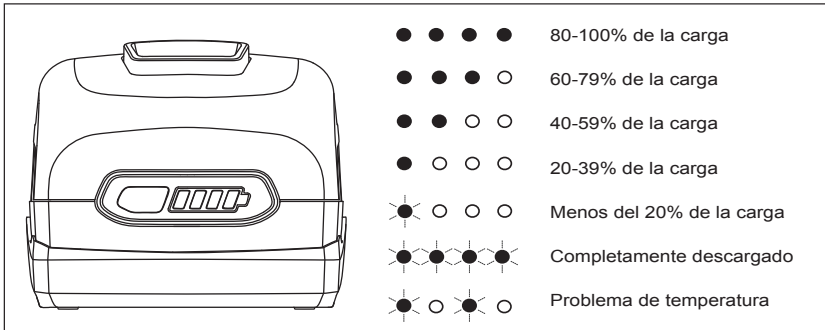
## 1. Las funciones LED del cargador

Indicador LED	Paquete de baterías	LED rojo	LED verde	ACCIÓN
Problema de temperatura (ver manual)	Batería fría/ caliente	Encendido	Apagado	El proceso de carga empezará una vez que la temperatura esté entre 5°C y 40°C.
Batería defectuosa	Defectuosa	Parpadeando	Apagado	El paquete de batería o el cargador está defectuoso
Batería cargando	Cargando	Apagado	Parpadeando	Cargando
Batería cargada	Cargada	Apagado	Encendido	La carga está completa

## 2. Indicador de carga

Este paquete de baterías de iones de litio está equipado con un indicador de carga que indica la carga restante de la batería. Presione el botón del indicador de carga para que aparezcan los indicadores LED. Estos indicadores permanecerán encendidos durante unos 4 segundos.

**Nota:** El indicador de carga puede utilizarse tanto si el paquete de batería está conectado a la herramienta como si no.



## 3. Indicador de carga baja

- Si los LED del indicador de carga parpadean con rapidez y continuamente cuando el gatillo está apretado, el paquete de baterías está descargado y necesita recargarse.
- A diferencia de otros tipos de paquete de baterías, los paquetes de baterías de iones de litio proporcionan una energía constante y sostenida durante toda la vida útil de la batería. Esta herramienta no perderá gradualmente la potencia a medida que trabaje. Para indicar que el paquete de baterías está cerca del final de su tiempo de carga, la alimentación hacia la herramienta se detendrá rápidamente. Los cuatro LED del indicador de carga parpadearán cuando la batería esté completamente descargada. Cuando esto ocurra, retire la herramienta de la pieza de trabajo y recargue el paquete de batería si es necesario.

**Nota:** Los indicadores LED de carga pueden parpadear en caso de sobrecarga o altas temperaturas.

## 4. Cuándo cargar el paquete de baterías

Ponga el paquete de baterías en el cargador para reiniciarlo cuando la batería esté protegida. El paquete de baterías de iones de litio puede ser recargado en cualquier momento sin ningún efecto de "memoria" cuando se recarga después de una descarga parcial. No es necesario descargar la batería antes de recargarla. Retire el paquete de baterías de la herramienta a su conveniencia.

- Utilice el indicador de carga para determinar cuándo debe recargar el paquete de baterías.
- Puede "controlar" la carga de la batería antes de empezar un trabajo grande o un largo periodo de uso.

## ENSAMBLAJE

### ADVERTENCIA:

Si alguna pieza está rota o falta, NO intente enchufar el cable de alimentación, de conectar la batería o utilizar la herramienta hasta que se sustituya la pieza rota o falta. Si no lo hace, podría resultar en unas lesiones graves.

### ADVERTENCIA:

No intente modificar esta herramienta o crear accesorios no recomendados para su uso con esta herramienta. Tal modificación o alteración es un uso indebido y podría dar lugar a una situación peligrosa que podría provocar lesiones graves.

### ADVERTENCIA:

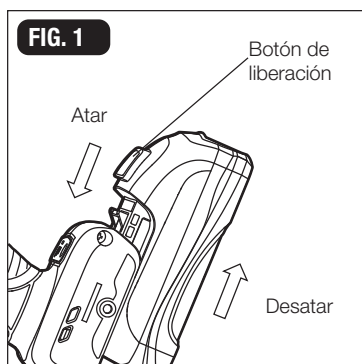
Su herramienta no debe estar nunca conectada a la fuente de alimentación cuando se monten piezas, se hagan ajustes, se instalen o se retiren herramientas de dispensación, se limpie o cuando no se utiliza. Al desconectar la herramienta se evitará un arranque accidental que podría provocar lesiones graves.

## DESEMBALAJE

1. Retire cuidadosamente la herramienta y todos los accesorios de la caja. Asegúrese de que todos los artículos que figuran en la lista están incluidos.
2. Inspeccione cuidadosamente la herramienta para asegurarse de que no se ha producido ninguna rotura o daño durante el transporte.
3. No deseche el embalaje hasta que haya inspeccionado cuidadosamente y utilizado la herramienta de forma satisfactoria.

## ENSAMBLAJE

### INSTALACIÓN DE LA BATERÍA (FIG.1)



1. Asegúrese de que la herramienta esté apagada.

2. Alinee la costilla que sobresale del paquete de baterías con la ranura de la parte inferior de la sierra y fije el paquete de baterías a la herramienta.

**Nota: Asegúrese de que el pestillo del paquete de baterías se enganche y de que el paquete de baterías esté bien sujeto a la herramienta antes de ponerla en marcha.**

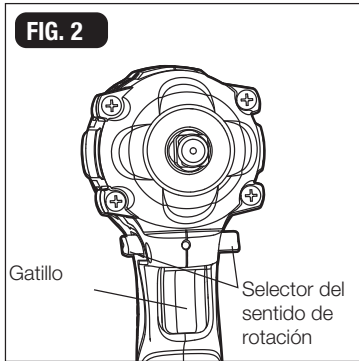
### RETIRE LA BATERÍA (FIG 1)

1. Asegúrese de que la herramienta esté apagada.
2. Presione el botón de liberación de la batería para liberarla.
3. Agarre la batería y quítela de la herramienta.



# UTILIZACIÓN

## GATILLO (FIG. 2)

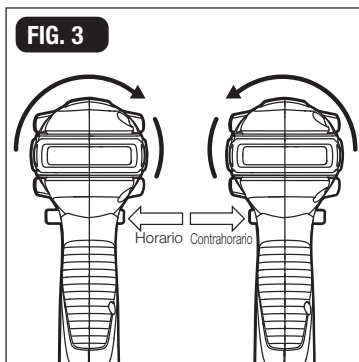


1. Para arrancar la llave de impacto, aprieta el gatillo.
2. Para apagarla, suelte el gatillo.

## VELOCIDAD VARIABLE

El gatillo de velocidad variable ofrece una mayor velocidad con una mayor presión en el gatillo y una menor velocidad con una presión en el gatillo reducida.

## SELECTOR DEL SENTIDO DE ROTACIÓN (SENTIDO DE LAS AGUJAS DEL RELOJ/ BLOQUEO/CONTRAHORARIO) (FIG. 3)

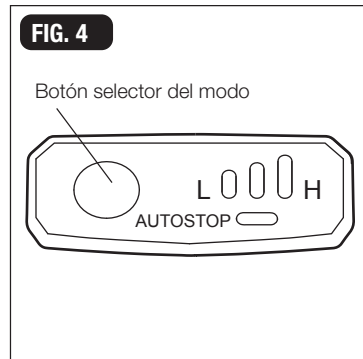


El sentido de la rotación es reversible y está controlada por un selector situado encima del gatillo. Con la llave de impacto en posición de funcionamiento normal: Ponga el interruptor selector de sentido de rotación a la izquierda de las agujas del reloj. Ponga el interruptor del selector de sentido de rotación a la derecha de las agujas del reloj para la rotación en sentido contrario a las agujas del reloj. Poner el interruptor en la posición OFF (bloqueo central) reduce el riesgo de que se produzca un arranque accidental cuando no se utiliza.

**NOTA: Para evitar daños en los engranajes, siempre permita que la llave de impacto se detenga completamente antes de cambiar el sentido de rotación.**

**NOTA: La llave de impacto sólo funcionará si el sentido del selector de rotación está totalmente comprometido a la izquierda o a la derecha.**

## SELECTOR DEL MODO (FIG. 4)



**ADVERTENCIA:** La llave de impacto tiene 3 velocidades y un modo de apagado automático, pero estas funciones sólo están disponibles cuando la herramienta funciona en el sentido de las agujas del reloj.

**AVISO:** El modo sólo puede cambiarse cuando el indicador de modo está encendido. El indicador de modo se apaga automáticamente después de un minuto.

### **ADVERTENCIA:**

Cuando se utiliza el modo de apagado automático, sólo se debe apretar el gatillo una vez. Si se vuelve a apretar el gatillo, se añadirá el nuevo par aplicado al anterior, con el riesgo de dañar el perno/ la tuerca.

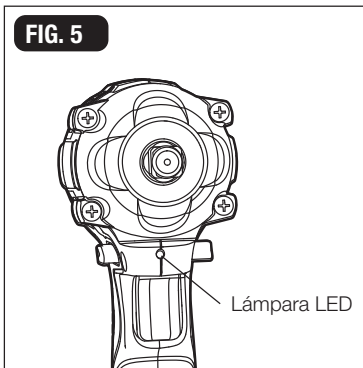
# UTILIZACIÓN

1. Ponga la batería en la llave de impacto.
2. Gire el interruptor del selector de sentido de rotación a la izquierda de la herramienta para la rotación en el sentido de las agujas del reloj y presione el gatillo para iluminar el indicador de modo.
3. Presione el botón de selección de modo; hay 3 velocidades disponibles: baja, media y alta. Mantenga pulsado el botón selector de modo durante tres segundos: el modo de parada automática está disponible y el indicador de parada automática está encendido. Cuando el perno/tuerca está suficientemente apretado, la herramienta para el impacto y la rotación después de un segundo.
4. Para desactivar la función de apagado automático, mantenga pulsado el botón de selección de modo durante tres segundos: el apagado automático se apagará.

## FRENO ELÉCTRICO

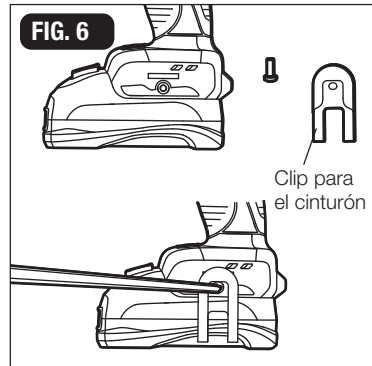
La llave de impacto está equipada con un freno eléctrico. Cuando se suelta el gatillo, el freno eléctrico se activa automáticamente para detener rápidamente la rotación.

## LÁMPARA LED (FIG.5)



La lámpara LED, situada en la base de la llave de impacto, se enciende cuando se aprieta el gatillo. Esto proporciona luz adicional en la superficie del lugar cuando se utiliza en zonas de poca luz. La luz se apagará automáticamente en 10 segundos después de soltar el gatillo.

## INSTALACIÓN DEL CLIP PARA CINTURÓN (FIG. 6)



1. Alinee la costilla del clip del cinturón con el agujero de la base de la llave.
2. Inserte el tornillo y apriételo firmemente con un destornillador (no suministrado).

## QUITAR EL CLIP DEL CINTURÓN

1. Utilice un destornillador (no suministrado) para aflojar el tornillo que sujeta el clip del cinturón a la llave.
2. Quita el tornillo y el clip del cinturón.

# UTILIZACIÓN

## INSTALAR Y QUITAR UN VASO (FIG. 7)



**NOTA: El anillo de fricción, ayuda a evitar que el vaso se desenganche del cuadrado conductor de la llave de impacto durante el funcionamiento.**

Utilice siempre el tamaño de vaso correcto para los pernos y las tuercas. Un vaso equivocado resultará en un par de apriete inexacto e inconsistente y/o daños en el perno o la tuerca.

1. Bloquee el gatillo colocando el interruptor del selector de sentido de rotación en la posición OFF (centro).
2. Para instalar el vaso, empújelo en el cuadrado conductor de la herramienta hasta que se bloquee en el lugar.
3. Para quitar el vaso, simplemente sáquelo.

## INSTALACIÓN DE LAS FIJACIONES

**AVISO:** Mantenga siempre la llave de impacto en ángulo recto con el acoplador para evitar daños en la cabeza del mismo.

Para apretar:

1. Empiece a enroscar la fijación a mano o en su homologada roscada (por ejemplo, la tuerca en una varilla roscada o el perno en un agujero roscado).
2. Con el vaso de impacto apropiado firmemente sujeto a la llave de impacto, deslice el vaso sobre la cabeza de la tuerca o del perno.

3. Ponga el selector de sentido de rotación en la posición HORARIO y seleccione una velocidad apropiada o la función de parada automática. Agárre la herramienta con firmeza mientras aprieta el gatillo. El vaso de impacto hará gira el sujetador y la acción de impacto comenzará cuando el sujetador encuentre resistencia.

Para aflojar:

1. El vaso de impacto apropiado bien sujeto a la llave, deslice el vaso de impacto sobre la cabeza del perno.
2. Ponga el interruptor del selector de sentido de rotación en la posición ANTI-HORARIO. Agarre la herramienta con firmeza mientras aprieta el gatillo. La herramienta comenzará a hacer impacto inmediatamente.
3. Una vez que el sujetador se haya "liberado", comenzará a desenroscarse. Tenga cuidado de no permitir que un sujetador gire libremente una vez que ya no esté enganchado con su homologa roscada, ya que podría salir disparado fuera del vaso.

## CONSEJOS

El par de apriete apropiado puede variar dependiendo del tipo o tamaño del perno, el material de la pieza a sujetar, etc.

**NOTA:** Sostenga la herramienta recta a lo largo del eje del perno o la tuerca.

**NOTA:** Un par de apriete excesivo puede dañar el perno/tuerca o el vaso. Realice siempre una operación de prueba para determinar el tiempo de sujeción adecuado para su perno o tuerca antes de comenzar su trabajo.

Practique con varias fijaciones, anotando el tiempo necesario para alcanzar el par deseado. Compruebe el apriete con una llave dinamométrica. Si los sujetadores están demasiado apretados, reduce el tiempo de impacto. Si no están lo suficientemente apretados, aumente el tiempo de impacto.

## UTILIZACIÓN

Sostenga la herramienta firmemente y coloque el vaso sobre el perno o la tuerca. Encienda la herramienta y apriete el perno o la tuerca con el par de apriete adecuado. El par requerido para aflojar un sujetador es en promedio del 75% al 80% del par de apriete, dependiendo de la condición de las superficies en contacto. Sin embargo, si el óxido o la corrosión causan el agarrotamiento, puede que se necesite más par.

Después de la fijación, compruebe siempre el par con una llave dinamométrica. El par de apriete se ve afectado por una amplia variedad de factores, incluyendo:

- El vaso  
Al no usar el vaso del tamaño correcto resultará en una reducción del par de apriete. Un vaso desgastado (desgaste en el extremo hexagonal o en el extremo del cuadrado conductor) resultará en una reducción del par.
- El perno  
Aunque el coeficiente de par y la clase de perno pueden ser los mismos, el par de apriete apropiado difiere según el diámetro del perno. Incluso si los diámetros de los pernos son los mismos, el par de apriete apropiado difiere dependiendo del coeficiente de par, la clase de pernos y la longitud de los mismos.

- Accesorios  
El uso de un cardán universal o una extensión (ambos vendidos por separado) reducirá de alguna manera la fuerza de sujeción de la llave de impacto. Compensar apretando un poco más.
- Técnica  
La forma de sujetar la herramienta o el material a fijar afectará el par.

### ADVERTENCIA:

Siempre use gafas de seguridad o gafas con protectores laterales durante el uso de la herramienta eléctrica o al soplar polvo. Si el uso de la herramienta genera polvo, use también una máscara antipolvo.

### ADVERTENCIA:

No permita bajo ninguna circunstancia que líquidos de freno, gasolina, productos a base de petróleo, aceites penetrantes, etc. entren en contacto con partes de plástico. Los productos químicos pueden dañar, debilitar o destruir el plástico, lo que puede provocar lesiones graves.

## UTILIZACIÓN

### 1. Procedimiento de recarga

La batería se suministra parcialmente cargada. Para obtener el mejor rendimiento de la batería, cargue completamente la batería en el cargador antes del primer uso. Una batería completamente descargada tardará aproximadamente 50 minutos en recargarse en temperaturas de 0°C a 40°C.

1. Cargue el paquete de baterías de iones de litio con el cargador apropiado.
2. Conecte el cargador a la fuente de alimentación.
3. Alinee la costilla saliente del paquete de baterías con la ranura del cargador.
4. Ponga el paquete de baterías en el cargador.
5. El cargador se comunicará con la batería para evaluar su estado.

6. Los indicadores LED de carga parpadearán de la derecha a la izquierda mientras se cargan. Esto es parte del proceso de carga normal.
7. Una vez el proceso de carga completado, el indicador LED verde permanecerá encendido y los indicadores LED de carga se encenderán cuando se pulse el botón de encendido y que la batería esté en el cargador.
8. El paquete de baterías se cargará completamente si permanece en el cargador, pero no se sobrecargará.

NOTA: Para su comodidad, el cargador puede funcionar con la mayoría de los generadores e inversores de 300 vatios o más.



## MANTENIMIENTO

La herramienta puede limpiarse de la manera más eficiente posible con aire comprimido seco. Siempre use gafas de seguridad cuando limpie las herramientas con aire comprimido.

Evite el uso de disolventes al limpiar piezas de plástico. La mayoría de los plásticos son susceptibles de ser dañados por diversos tipos de disolventes comerciales y pueden resultar dañados por su uso. Use paños limpios para quitar la suciedad, el polvo, el aceite, la grasa, etc.

3. Compruebe si hay tornillos sueltos, desalineación o agarrotamiento de las partes móviles, o cualquier otra condición que pueda afectar el funcionamiento.
4. Si nota alguna vibración o ruido anormal, apague la herramienta inmediatamente y corrija el problema antes de seguir usándola.
5. Retire la batería de la llave de impacto antes de limpiar o realizar cualquier mantenimiento. El uso de aire comprimido puede ser el método de limpieza más eficaz. Siempre use gafas de seguridad cuando limpie las herramientas con aire comprimido.

### ANTES DE CADA USO

1. Inspeccione la llave de impacto, el interruptor de encendido y apagado y los accesorios para ver si están dañados.
2. Revise si hay partes dañadas, faltantes o desgastadas.

### LUBRICACIÓN

Todos los rodamientos de esta herramienta están lubricados con una cantidad suficiente de lubricante de alta calidad para la vida de la unidad en condiciones normales. Por lo tanto, no se requiere ninguna lubricación adicional.

## ACCESORIOS

NO

## SOLUCIÓN DE PROBLEMAS

PROBLEMA	CAUSA	SOLUCIÓN
La llave de impacto no funciona	La batería está vacía	Cargue la batería
La llave de impacto no funciona y la lámpara LED parpadea.	La herramienta está sobrecalentada	Deje que la herramienta se enfríe
La llave de impacto no funciona y los LED de la batería están parpadeando.	La batería se está sobrecalentando	Deje que la batería se enfríe



## EC DECLARATION OF CONFORMITY

Original Language

Brand Name : Mighty Seven

Serial Number: Please refer to the tool

Cordless Impact Wrench

Item No.:DW-401 (Tool)

to which this declaration applies, complies with these normative documents:

- Machinert Directive : 2006 / 42 / EC
- EMC : 2014 / 30 / EU

and conforms to the following EN standard,

- EN 62841-1-1:2015+AC:2015
- EN 62841-2-2:2014+AC:2015
- EN 55014-1:2017
- EN 55014-2:2015

Battery Charger

Item No.: DB1850 (Battery) DC18A (Charger)

to which this declaration applies, complies with these normative documents:

- LVD : 2014 / 35 / EU
- EMC : 2014 / 30 / EU

and conforms to the following EN standards

- EN 60335-1:2012+A11+A13+A14+A2
- EN 60335-2-29:2004+A2+A11
- EN 55014-1:2017
- EN 61000-3-2:2014
- EN 55014-2:2015
- EN 62233:2008
- EN 61000-3-3:2013

Declared in: Taichung, Taiwan

Dated:2020/07/01

**Signature**

Jay Lin

Declared by: QA Manager



**Manufacturer:**

**Mighty Seven International Co., Ltd.**

No. 70-25, Ching Quang Rd., Wujih Dist.,  
Taichung City, 41466 Taiwan.  
<http://www.mighty-seven.com>

Authorized contact, to compile the technical files :

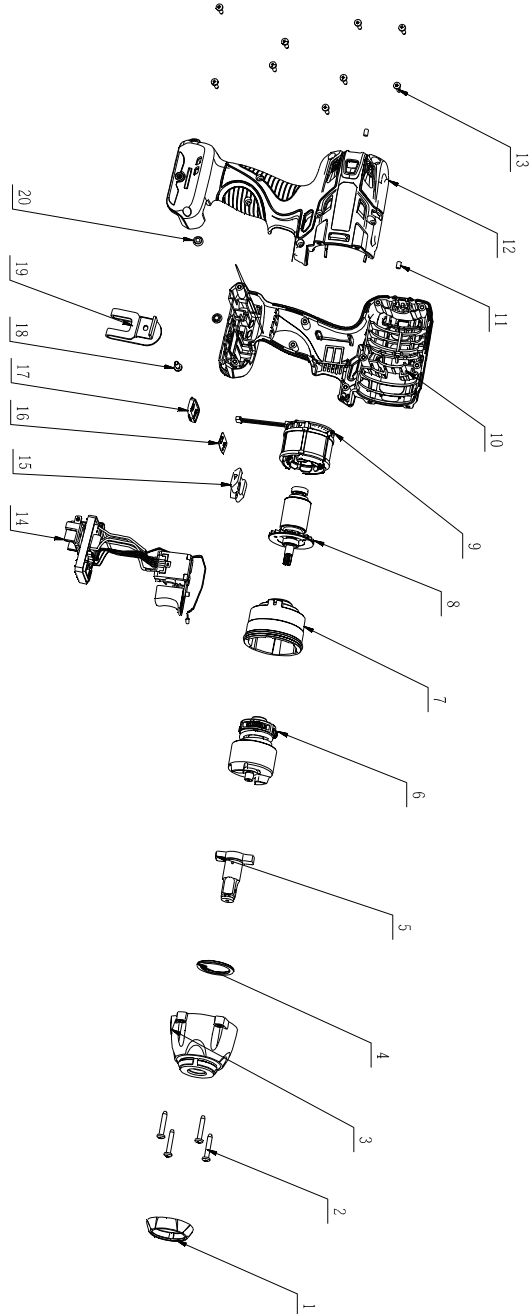
**King Tony France**

3 Rue des imprimeurs ZI République Nord 1.  
86000 POITIERS FRANCE  
TEL: (+33)5-49-30-30-90  
E-MAIL: [christian.aubineau@kingtony.eu](mailto:christian.aubineau@kingtony.eu)



# Cordless Impact Wrench

Item No : DW-401



# Part List

Item No : DW-401

NO.	PART NO.	DESCRIPTION	Q'TY
1	DW-401P01	Decorative Cover	1
2	DW-401T02	Tapping Screw(4PCS)	1SET
3	DW-401P03	Front Gear Housing ASSY	1
4	DW-401P04	Washer	1
5	DW-401P05	Output Shaft ASSY	1
6	DW-401P06	Impact Block ASSY	1
7	DW-401P07	Rear Gear Housing ASSY	1
8	DW-401P08	Rotor Assembly	1
9	DW-401P09	Stator	1
10	DW-401P10	Left Housing ASSY	1
11	DW-401T11	Rubber Stick(2PCS)	1SET
12	DW-401P12	Right Housing ASSY	1
13	DW-401T13	Tapping Screw(9PCS)	1SET
14	DW-401P14	Electric Assembly	1
15	DW-401P15	F/R Button	1
16	DW-401P16	Indicator Label	1
17	DW-401P17	Switch Button Cover	1
18	DW-401P18	Screw	1
19	DW-401P19	Hook	1
20	DW-401T20	Nut(2PCS)	1SET




# Garantía

## Garantía limitada del fabricante

**Mighty Seven International Co. , LTD. .** ofrece una garantía limitada a los productos fabricados por **Mighty Seven** y vendidos por sus distribuidores autorizados en todo el mundo. La garantía limitada sólo se aplica a los productos que son defectuosos en material y mano de obra y no se aplica a los productos que han sido abusados, mal utilizados, representantes de servicio. Si hay un producto defectuoso de **Mighty Seven** , por favor envíelo prepagado al distribuidor donde lo compró junto con la dirección y la información de contacto. Las reparaciones o sustituciones están garantizadas como se ha descrito anteriormente; de lo contrario, se cobrará el servicio de reparaciones o sustituciones.

### Por favor, guarde esta tarjeta para la garantía

Fecha de compra	Número del modelo
Fecha de expiración de la garantía	Número de serie
Sello del distribuidor	
	

Fecha de compra :	Número del modelo :
Fecha de expiración de la garantía :	Número de serie :
Nombre :	
Nombre de la empresa :	
Dirección :	
Teléfono :	Fax:
E-Mail:	
<b>Tipo de negocio :</b>	
<input type="checkbox"/> Agricultura	<input type="checkbox"/> Pintura y reparación de la carrocería
<input type="checkbox"/> Reparación general de automóviles	<input type="checkbox"/> Obra pública / Servicios públicos del gobierno
<input type="checkbox"/> Neumático	<input type="checkbox"/> Fabrica
<input type="checkbox"/> Mantenimiento y reparación de camiones	<input type="checkbox"/> Uso en casa
<input type="checkbox"/> Fabricante de coches	<input type="checkbox"/> Otros

# REGLES DE SECURITE GENERALES

## AVERTISSEMENT DE SECURITE GENERALES POUR ELECTROPORTATIF



Lisez toutes les instructions.

Le non-respect des consignes de sécurité énoncées ci-après peut conduire à un choc électrique, à un incendie et/ou à des blessures corporelles graves.

### CONSERVEZ CES INSTRUCTIONS

Le terme "outil électrique" dans tous les avertissements ci-après fait référence à votre outil électrique branché sur secteur (filaire) ou votre outil électrique sur batterie (sans fil).

### Sécurité de la zone de travail

- 1) Gardez votre zone de travail propre et bien éclairée. Les zones en désordre ou sombres présentent des risques d'accidents
- 2) N'utilisez jamais d'outils électriques dans un environnement explosif, par exemple en présence de liquides inflammables, de gaz ou de poussières. Les outils électriques créent des étincelles qui peuvent enflammer des poussières ou de la fumée
- 3) Ne permettez jamais aux enfants ou toutes autres personnes de s'approcher de l'outil électrique lors de son utilisation. Toute distraction peut provoquer la perte de contrôle de l'appareil.

### Sécurité électrique

- 1) Les fiches des outils électriques doivent correspondre à la prise. Ne modifiez jamais la fiche d'aucune façon. N'utilisez aucune fiche d'adaptateur avec des outils électriques mis à la terre. Des fiches non modifiées et des prises correspondantes réduiront le risque de choc électrique.
- 2) Évitez le contact du corps avec des surfaces reliées à la terre ou à la masse, notamment tuyaux, radiateurs, fours ou réfrigérateurs. Le risque de décharge électrique est accru lorsque votre corps est relié à la terre.
- 3) Ne pas exposer les outils électriques à la pluie ou l'humidité. La pénétration d'eau dans un appareil électrique augmente le risque d'une décharge électrique.

4) Ne malmenez pas le câble. Ne portez pas l'appareil par le câble. Débranchez le câble de la prise uniquement en tirant sur la fiche.

Protégez le câble de l'huile, de la chaleur, des arêtes vives et des pièces mobiles. Un câble endommagé ou emmêlé augmente le risque d'une décharge électrique.

5) Pour les travaux d'extérieur, utilisez uniquement des câbles prolongateurs agréés à cet effet. L'utilisation d'un câble prolongateur compatible pour l'extérieur réduit le risque d'un choc électrique.

6) Si l'utilisation de l'outil électrique dans un endroit humide est inévitable, utilisez disjoncteur différentiel de fuite à la terre (GFCI). L'utilisation d'un GFCI réduit le risque de choc électrique.

### Sécurité des personnes

1) Soyez vigilant. Prêtez attention à ce que vous faites et travaillez calmement et de façon réfléchie avec un outil électrique. N'utilisez pas l'appareil si vous êtes fatigué, si vous n'êtes pas concentré ou si vos capacités de réaction sont altérées par l'ingestion de drogues, d'alcool ou de médicaments. Un moment d'inattention lors de l'utilisation d'un outil électrique peut entraîner des blessures graves...

2) Portez des vêtements, des équipements de protection individuels et toujours des lunettes de sécurité. Le port de vêtements et d'équipements de protection individuels tels qu'un masque respiratoire, des chaussures antidérapantes, un casque ou des protections acoustiques, réduit le risque de blessures.

3) Évitez tout allumage intempestif. Assurez-vous que l'outil électrique est en position «OFF» (= arrêt) avant de mettre la fiche dans la prise et/ou avant de brancher la batterie. Le fait de porter l'appareil avec le doigt sur l'interrupteur ou de brancher l'appareil alors qu'il est allumé, peut causer des accidents.

4) Éloignez tout outil ou clés avant de mettre en marche l'appareil électrique. Un outil ou une clé se trouvant dans une partie mobile de l'appareil peut entraîner des blessures.

5) Évitez toute position corporelle anormale. Trouvez une position sûre et conservez votre équilibre à tout moment. Vous contrôlerez ainsi mieux l'appareil électrique en cas de situation inattendue.

## REGLES DE SECURITE GENERALES

6) Portez des vêtements adaptés. Ne portez pas de vêtements larges ni de bijoux. Éloignez vos cheveux, vêtements et gants des pièces mobiles. Les vêtements amples, les bijoux et les cheveux longs peuvent se prendre dans les pièces mobiles.

7) Si des dispositifs d'aspiration et de collecte des poussières peuvent être montés, assurez-vous qu'ils sont bien fixés et correctement utilisés. L'utilisation de ces dispositifs réduit les risques dus à la poussière.

### Utilisation et entretien de l'outil électrique

1) Ne surchargez pas l'appareil. Utilisez l'outil électrique adapté à votre travail. Vous travaillerez mieux et de manière plus sûre dans le champ de travail indiqué en utilisant l'outil adapté.

2) N'utilisez pas d'outils électriques dont l'interrupteur est défectueux. Un outil électrique dont l'interrupteur ne fonctionne plus est dangereux et doit être réparé.

3) Retirez la fiche de la prise et/ou le bloc-batterie de l'outil avant de procéder aux réglages, avant de changer les accessoires ou avant de ranger l'appareil. Cette mesure de prudence empêche l'allumage intempestif de l'appareil.

4) Conservez les outils électriques inutilisés hors de portée des enfants. Empêchez l'utilisation de l'appareil par les personnes qui n'y sont pas familiarisées ou qui n'ont pas lu les présentes consignes. Les outils électriques sont dangereux s'ils sont utilisés par des personnes inexpérimentées.

5) Entretenez soigneusement l'outil électrique. Vérifiez que les pièces mobiles soient bien alignées et ne collent pas et qu'aucune pièce n'est cassée ou endommagée au point d'influencer le fonctionnement de l'appareil. Faites réparer les pièces endommagées avant l'utilisation de l'appareil. De nombreux accidents sont dus à un mauvais entretien des outils électriques.

6) Aiguiser vos outils de découpe et nettoyez-les. Les outils de découpe soigneusement entretenus, avec des tranchants bien aiguisés s'enrayent moins et sont plus faciles à guider.

7) Utilisez l'outil électrique, les accessoires, les lames, etc., conformément aux présentes consignes et de la manière prescrite pour ce type d'appareil. Tenez compte des conditions de travail et des activités menées. L'utilisation d'outils électriques pour des applications différentes de celles prévues peut déboucher sur des situations dangereuses.

### Utilisation et entretien de l'outil à batterie

1) Ne chargez la batterie rechargeable que dans des chargeurs conseillés par le fabricant. Le chargeur prévu pour un certain type de batterie présente un risque d'incendie lorsqu'il est utilisé avec une batterie de type différent.

2) N'utilisez dans des outils électriques que des batteries prévues à cet effet. L'utilisation d'autres blocs-batterie peut provoquer des accidents et présente un risque d'incendie.

3) Lorsque la batterie n'est pas utilisée, éloignez-la des objets métalliques, tels que des trombones, des pièces de monnaie, des clés, des clous, des vis ou d'autres petits objets métalliques qui peuvent établir une connexion d'une borne à une autre. Un court-circuit entre les bornes de la batterie peut provoquer des brûlures ou un incendie.

4) Dans des conditions abusives, du liquide peut être éjecté de la batterie; éviter tout contact. En cas de contact accidentel, rincer à l'eau. Si du liquide entre en contact avec les yeux, consultez également un médecin. Le liquide éjecté de la batterie peut provoquer une irritation ou des brûlures.

### Service

1) Ne faites réparer l'appareil que par du personnel qualifié., utilisant uniquement des pièces de rechange identiques, assurant de ce fait la sécurité de l'outil.

## Consignes de sécurité

Le but des symboles de sécurité est d'attirer votre attention sur d'éventuels dangers. Les symboles de sécurité et les explications qui les accompagnent méritent votre attention et votre compréhension. Les avertissements des symboles n'éliminent pas à eux seuls tout danger. Les instructions et avertissements qu'ils donnent ne remplacent pas les mesures appropriées de prévention des accidents.

### **AVERTISSEMENT:**

Assurez-vous de lire et de comprendre toutes les instructions de sécurité de ce manuel, y compris tous les symboles d'alerte de sécurité tels que «DANGER», «AVERTISSEMENT» et «MISE EN GARDE» avant d'utiliser cet outil. Le non-respect de toutes les instructions ci-dessous peut entraîner un choc électrique, un incendie et / ou des blessures graves.

---

## SIGNIFICATION DES SYMBOLES



### **SYMBOLE D'ALERTE DE SÉCURITÉ:**

indique un DANGER, un AVERTISSEMENT ou une MISE EN GARDE.  
Peut être utilisé conjointement avec d'autres symboles ou pictogrammes.

### **DANGER:**

Signale une situation de danger imminent qui, si elle n'est pas évitée, entraînera la mort ou des blessures graves.

### **AVERTISSEMENT:**

Signale une situation potentiellement dangereuse qui, si elle n'est pas évitée, pourrait entraîner la mort ou des blessures graves.

### **MISE EN GARDE:**

Signale une situation potentiellement dangereuse qui, si elle n'est pas évitée, pourrait entraîner des blessures mineures ou modérées.




### **NOTE :**

(sans symbole d'alerte de sécurité) : Indique une situation pouvant entraîner des dommages matériels.

## CONSERVEZ CES INSTRUCTIONS !

## SYMBOLES DE SÉCURITÉ

Certains des symboles suivants peuvent être utilisés sur cet outil. Veuillez les regarder et apprendre leur signification. Une interprétation correcte de ces symboles vous permettra d'utiliser l'outil de manière plus efficace et plus sûre.

Symbole	Nom	Désignation / Explication
V	Volts	Tension électrique
A	Ampères	Intensité du courant électrique
Hz	Hertz	Fréquence de répétition (cycle par seconde)
W	Watts	Puissance
~	Courant alternatif	Type de courant
—	Courant continu	Type ou caractéristique du courant
$n_o$	Vitesse à vide	Vitesse de rotation à vide
lbs	Livres	Poids
	Construction de classe II	Construction à double isolation
.../min	Par minute	Tours, coups, orbites, etc., par minute
	Portez des lunettes de sécurité	<div style="border: 1px solid black; padding: 2px; display: inline-block;"> <b>AVERTISSEMENT:</b></div> <p>L'utilisation de tout outil électrique peut entraîner la projection d'objets étrangers dans vos yeux, ce qui peut entraîner de graves lésions oculaires. Avant de commencer à utiliser un outil électrique, portez toujours des lunettes de sécurité classiques ou des lunettes de sécurité avec des écrans latéraux et un écran facial complet si nécessaire. Nous recommandons un masque de sécurité à vision large pour une utilisation sur des lunettes de vue ou des lunettes de sécurité standard avec écrans latéraux. Utilisez toujours une protection oculaire marquée conforme à la norme ANSI Z87.1.</p>

### **AVERTISSEMENT:**

Pour garantir la sécurité et la fiabilité, toutes les réparations doivent être effectuées par un technicien de maintenance qualifié.

## REGLES DE SECURITE SPECIFIQUES

### AVERTISSEMENT DE SECURITE POUR CLE A CHOCS

1. Tenez la clé à chocs par les surfaces de préhension isolées lors de toute opération au cours de laquelle l'embout pourrait entrer en contact avec des fils cachés ou son propre cordon. Le contact avec un fil «sous tension» rendra également les parties métalliques exposées de l'outil «sous tension» et peut électrocuter l'opérateur.

2. Utilisez la batterie uniquement avec le chargeur mentionné ci dessous :

BATTERIE	CHARGEUR
DB-1850	DC-18A

3. Portez toujours des lunettes de protection lorsque vous utilisez cet outil.

4. Assurez-vous que l'interrupteur horaire / anti-horaire est en position OFF avant d'insérer une batterie. L'insertion de la batterie dans un appareil électro-portatif allumé peut provoquer des accidents.

5. Inspectez la douille à choc avec attention, à la recherche d'éventuelles fissures ou traces d'usure avant installation sur la clé à chocs.

6. Les embouts, les douilles et les outils deviennent chauds pendant le fonctionnement. Portez des gants lorsque vous les touchez.

7. Retirez la batterie avant de changer les accessoires. Un démarrage accidentel peut se produire car les appareils électro-portatifs avec une batterie insérée sont en état de fonctionnement permanent.

### AVERTISSEMENT:

certaines poussières créées par le ponçage, la coupe, le meulage, perçage ou autres activités de construction peuvent contenir des produits chimiques connus pour provoquer le cancer, des malformations congénitales ou d'autres troubles de la reproduction. Voici quelques exemples de ces produits chimiques:

- plomb provenant de peintures à base de plomb
- Silice cristallin provenant de briques et de ciment et d'autres produits de maçonnerie,
- Arsenic et chrome provenant du bois d'œuvre ayant réagi chimiquement.

Votre risque lié à ces expositions varie en fonction de la fréquence à laquelle vous effectuez ce type de travail. Pour réduire votre exposition à ces produits chimiques: travaillez dans un endroit bien ventilé et travaillez avec un équipement de sécurité approuvé.

## Consignes de sécurité pour le chargeur

1. Avant d'utiliser le chargeur de batteries, lisez toutes les instructions et avertissements dans ce présent manuel et sur le chargeur, sur la batterie et sur le produit à batterie pour éviter toute mauvaise utilisation et blessure ou dommage éventuel.

### ATTENTION:

Pour réduire le risque de décharge électrique ou dommage au chargeur et à la batterie, ne chargez que les batteries lithium-ion marquées spécifiquement sur votre chargeur. Les autres types de batteries peuvent exploser, provoquant des blessures ou des dommages.

2. N'utilisez pas le chargeur à l'extérieur ni dans des conditions humides. Si l'eau entre dans le chargeur, le risque de décharge électrique augmente.

3. L'utilisation d'un accessoire non-recommandé ou vendu par le fabricant du chargeur peut causer un risque d'incendie, de décharge électrique ou de blessures.

4. Ne malmenez pas le câble ni le chargeur. Ne portez jamais le chargeur par le câble. Ne débranchez jamais l'outil du secteur en tirant sur le câble. Ceci pourrait endommager le câble ou le chargeur et créer un risque de décharge électrique. Remplacez immédiatement tout câble endommagé.

5. Assurez-vous que le cordon est placé en lieu sûr pour que personne ne marche ou ne trébuche dessus, et qu'il ne soit pas sujet à être endommagé ou soumis à une tension d'une quelconque autre manière. Ceci réduira le risque de chutes accidentelles qui pourraient provoquer des blessures et endommager le câble, créant un risque de décharge.

6. Protégez le câble et le chargeur de la chaleur pour éviter d'endommager le boîtier et les pièces internes.

7. Protégez les parties plastiques de l'essence, de l'huile, des produits à base de pétrole etc. Ces matières contiennent des produits chimiques qui peuvent endommager, fragiliser ou détruire le plastique.

8. N'utilisez une rallonge qu'en cas de nécessité absolue. L'utilisation d'une rallonge inadéquate peut entraîner un risque d'incendie, de choc électrique ou d'électrocution. S'il faut utiliser une rallonge, assurez-vous que :

La fiche du cordon comporte le même nombre de broches que celles du chargeur et que ses broches sont de mêmes forme et taille.

Le cordon est bien câblé et en bon état.

La taille est assez grande pour l'intensité nominale du chargeur comme spécifié ci-dessous:

La longueur du cordon (pieds) 25' 50' 100'

Taille du cordon (AWG) 16'

**NOTE:** AWG = American Wire Gauge

9. Ne faites pas fonctionner le chargeur avec un câble d'alimentation ou prise endommagés, en raison du risque de court-circuit et de décharge électrique. Si le chargeur est endommagé, faites-le réparer par un technicien agréé chez **m7**.

10. Ne faites pas fonctionner le chargeur s'il a reçu un choc violent, s'il est tombé, ou s'il a été autrement endommagé de quelque manière que ce soit. Apportez le chargeur à un technicien agréé chez **m7** pour un contrôle électrique pour déterminer si le chargeur est en bon état de fonctionnement.

11. Ne démontez pas le chargeur. Apportez-le à un technicien agréé chez **m7** lorsqu'un entretien ou une réparation est nécessaire. Un chargeur mal ré-assemblé peut entraîner un risque de choc électrique, d'électrocution ou d'incendie.

12. Débranchez le chargeur de la prise secteur avant de procéder à son nettoyage ou à son entretien. Cette précaution réduira le risque de décharge électrique.

13. Débranchez le chargeur de l'alimentation en dehors des périodes d'utilisation. Ceci réduira le risque de décharge électrique et de dommage au chargeur si des articles en métal tombent dans l'ouverture. Ceci évitera également des dommages en cas de surtension.

14. Risque de décharge électrique. Ne touchez pas la partie non-isolée du connecteur de sortie ni la borne non-isolée de la batterie.

15. Gardez précieusement ces instructions. Consultez-les fréquemment et utilisez-les pour informer les autres utilisateurs de cet outil. Si vous prêtez cet outil à quelqu'un d'autre, prêtez-lui également ces instructions pour éviter une mauvaise utilisation du produit et d'éventuelles blessures.

### AVERTISSEMENT:

certaines poussières créées par le ponçage, la coupe, le meulage, perçage ou autres activités de construction peuvent contenir des produits chimiques connus pour provoquer le cancer, des malformations congénitales ou d'autres troubles de la reproduction. Voici quelques exemples de ces produits chimiques:

- plomb provenant de peintures à base de plomb
- Silice cristallin provenant de briques et de ciment et d'autres produits de maçonnerie,
- Arsenic et chrome provenant du bois d'œuvre ayant réagi chimiquement.

Votre risque lié à ces expositions varie en fonction de la fréquence à laquelle vous effectuez ce type de travail. Pour réduire votre exposition à ces produits chimiques: travaillez dans un endroit bien ventilé et travaillez avec un équipement de sécurité approuvé.

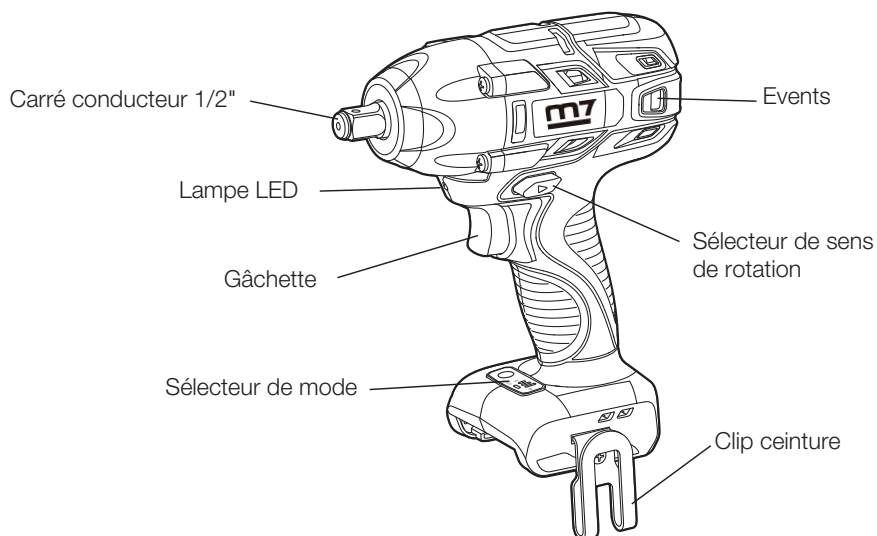
## DESCRIPTION DE L'OUTIL

### contrôle d'utilisation



Cet outil est conçu pour le serrage et desserrage de boulons et écrous.





### 1. Schéma général







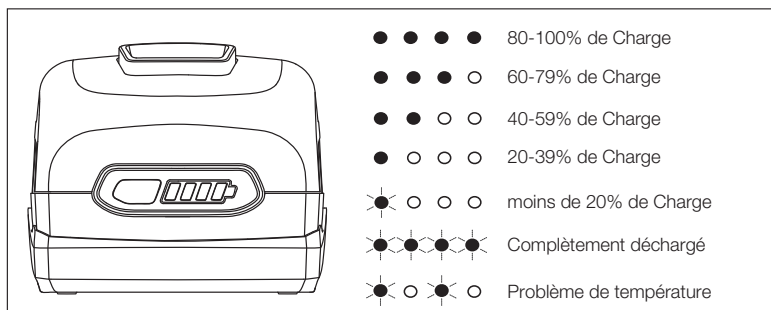
## 1. Les fonctions LED du chargeur :

Voyant LED	Bloc-batterie	LED rouge	LED verte	ACTION
Problème de température (voir manuel) 	Batterie chaude/froide	Allumé	Éteint	Le processus de charge commencera une fois la température entre 5°C et 40°C
Batterie défectueuse 	Défectueuse	Clignotant	Éteint	Le bloc-batterie ou le chargeur est défectueux
En charge 	En charge	Éteint	Clignotant	En charge
Batterie chargée 	Chargée	Éteint	Allumé	La charge est terminée

## 2. Indicateur de charge :

Ce bloc-batterie Lithium-Ion est équipé d'un indicateur de charge qui indique la charge restante de la batterie. Appuyez sur le bouton de l'indicateur de charge pour afficher les indicateurs LED. Ces indicateurs resteront allumés pendant environ 4 secondes.

Remarque : L'indicateur de charge peut être utilisé si le bloc-batterie est attaché à l'outil ou non.



## 3. Indicateur de charge faible :

- Si les témoins LED sur l'indicateur de charge clignotent rapidement en permanence lorsque la gâchette sur la clé est appuyée, le bloc-batterie est déchargé et il faut le recharger.
- Contrairement à d'autres types de bloc-batterie, les blocs-batterie Lithium-Ion fournissent une puissance constante soutenue pendant toute la durée de la batterie. Cet outil ne perdra pas progressivement de puissance lorsque vous travaillez. Pour signaler que le bloc-batterie arrive à la fin de sa durée de charge, l'alimentation à l'outil s'arrêtera rapidement. Les quatre témoins LED de l'indicateur de charge clignoteront une fois la batterie complètement déchargée. Quand ceci arrive, enlevez l'outil de la pièce à travailler et rechargez le bloc-batterie au besoin.

**Remarque :** Les témoins LED de l'indicateur de charge peuvent clignoter en cas de surcharge ou de températures élevées.

## 4. Quand recharger le bloc-batterie

Mettez le bloc-batterie sur le chargeur pour le redémarrer quand la batterie est protégée. Le bloc-batterie Lithium-Ion peut être rechargé à tout moment et sans effet de "mémoire" lors de la recharge suite à une décharge partielle. Il n'est pas nécessaire de décharger la batterie avant de recharger.

Enlevez le bloc-batterie de l'outil quand cela vous convient.

- Utilisez l'indicateur de charge pour déterminer quand il faut recharger le bloc-batterie.
- Vous pouvez "faire l'appoint" de la charge de la batterie avant de commencer un grand travail ou une longue période d'utilisation.

## ASSEMBLAGE

### AVERTISSEMENT :

Si une pièce est cassée ou manquante, N'essayez PAS de fixer la batterie ou de faire fonctionner l'outil jusqu'à ce que la pièce cassée ou manquante soit remplacée. Le non-respect de cette consigne peut entraîner des blessures graves.

### AVERTISSEMENT :

N'essayez pas de modifier cet outil ou de créer des accessoires non recommandés pour une utilisation avec cet outil. Une telle altération ou modification constitue une mauvaise utilisation et pourrait entraîner une situation dangereuse pouvant causer des blessures graves.

### AVERTISSEMENT :

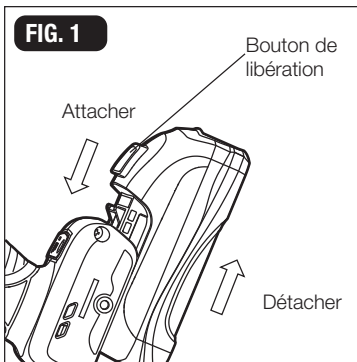
Votre outil ne doit jamais être connecté à la source d'alimentation lorsque vous assemblez des pièces, effectuez des réglages, installez ou retirez des accessoires, nettoyez ou lorsqu'il n'est pas utilisé. La déconnexion de l'outil empêchera un démarrage accidentel, ce qui pourrait entraîner des blessures graves.

## DEBALLAGE

1. Retirez soigneusement l'outil et tous les accessoires du carton. Assurez-vous que tous les articles énumérés dans la liste de colisage sont inclus.
2. Inspectez soigneusement l'outil pour vous assurer qu'aucune casse ou dommage ne s'est produit pendant l'expédition.
3. Ne jetez pas le matériel d'emballage avant d'avoir soigneusement inspecté et utilisé l'outil de manière satisfaisante.

## ASSEMBLAGE

### INSTALLATION DE LA BATTERIE (FIG. 1)



1. Vérifiez que l'outil est bien éteint.

2. Alignez la nervure en saillie du bloc-batterie sur la rainure du bas de la clé à chocs et attachez le bloc-batterie à l'outil.

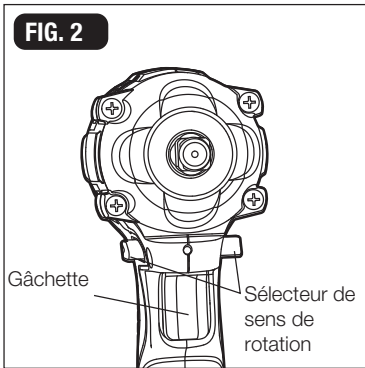
**Remarque : Vérifiez bien que le loquet sur le bloc-batterie s'enclenche et que le bloc-batterie soit bien attaché à l'outil avant de démarrer l'outil.**

### RETIRER LA BATTERIE (FIG 1)

1. Vérifiez que l'outil est bien éteint.
2. Appuyez sur le bouton de libération de la batterie situé sur la batterie pour la libérer.
3. Saisissez la batterie et retirez-la de l'outil.

# UTILISATION

Gâchette (FIG. 2)

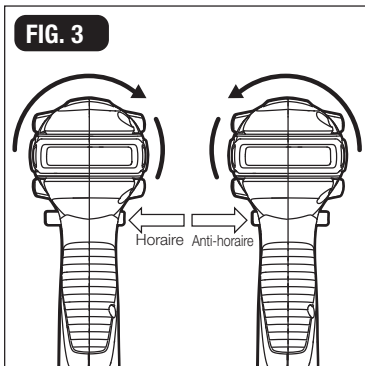


1. Pour démarrer la clé à chocs, appuyez sur la gâchette.
2. Pour l'éteindre, relâchez la gâchette.

## VITESSE VARIABLE

La gâchette à vitesse variable offre une vitesse plus élevée avec une pression de déclenchement accrue et une vitesse inférieure avec une pression de déclenchement réduite.

## SELECTEUR DU SENS DE ROTATION (HORAIRE / VERROUILLAGE / ANTI HORAIRE) (FIG. 3)

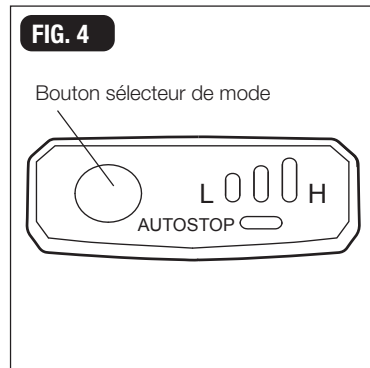


Le sens de rotation est réversible et est contrôlé par un sélecteur situé au dessus de la gâchette. Avec la clé à chocs maintenue en position de fonctionnement normale: Positionnez le sélecteur de sens de rotation à gauche de l'outil pour une rotation dans le sens horaire. Positionnez le sélecteur de sens de rotation à droite de l'outil pour une rotation anti-horaire. Régler l'interrupteur sur la position OFF (verrouillage central) permet de réduire les risques de démarrage accidentel lorsqu'il n'est pas utilisé.

**REMARQUE :** Pour éviter d'endommager les engrenages, laissez toujours la clé à chocs s'arrêter complètement avant de changer le sens de rotation.

**REMARQUE :** La clé à chocs ne fonctionnera que si le sens du sélecteur de rotation est engagé à fond à gauche ou à droite.

## SELECTEUR DE MODE (FIG. 4)



AVIS: La clé à chocs possède 3 vitesses et un mode d'arrêt automatique, mais ces fonctions ne sont disponibles que lorsque l'outil fonctionne en rotation horaire.

AVIS: Le mode ne peut être changé que lorsque le voyant de mode est allumé. Le voyant de mode s'éteint automatiquement après environ une minute.

### **AVERTISSEMENT :**

Lorsque vous utilisez le mode d'arrêt automatique, n'appuyez sur la gâchette qu'une seule fois. Si vous appuyez à nouveau sur la gâchette, un nouveau couple sera appliqué au couple précédemment appliqué, risquant d'endommager le boulon / écrou.

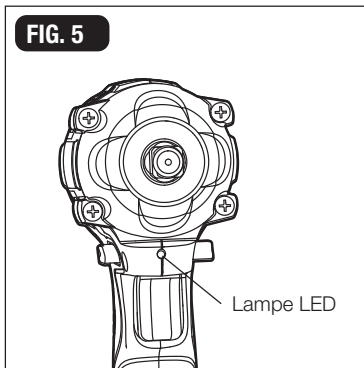
# UTILISATION

1. Fixez la batterie à la clé à chocs.
2. Positionnez le sélecteur de sens de rotation à gauche de l'outil pour une rotation dans le sens horaire et appuyez sur la gâchette pour allumer le voyant de mode.
3. Appuyez sur le bouton de sélection de mode; 3 vitesses sont disponibles : faible, moyenne et élevée. Appuyez sur le bouton de sélection de mode et maintenez-le enfoncé pendant trois secondes : le mode d'arrêt automatique (Auto-stop) est disponible et l'indicateur d'arrêt automatique est allumé. Lorsque le boulon / l'écrou est suffisamment serré, l'outil arrête l'impact et la rotation après environ une seconde.
4. Pour désactiver la fonction d'arrêt automatique, appuyez sur le bouton de sélection de mode et maintenez-le enfoncé pendant trois secondes: l'arrêt automatique s'éteindra.

## FREIN ÉLECTRIQUE

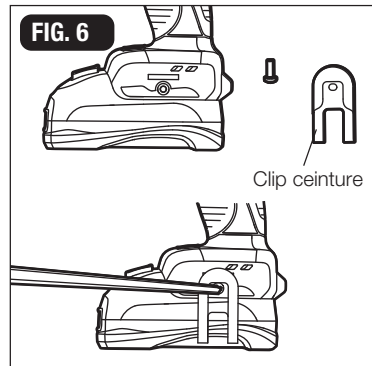
La clé à chocs est équipée d'un frein électrique. Lorsque la gâchette est relâchée, le frein électrique s'enclenche automatiquement pour arrêter rapidement la rotation.

## LAMPE LED (FIG 5.)



La lampe LED, située à la base de la clé à chocs, s'allume lorsque la gâchette est enfoncée. Cela fournit une lumière supplémentaire sur la surface de la pièce à travailler lors d'une utilisation dans des zones à faible luminosité. La lumière s'éteindra automatiquement dans les 10 secondes après avoir relâché la gâchette.

## INSTALLATION DU CLIP DE CEINTURE (FIG. 6)



1. Alignez la nervure du clip de ceinture avec le trou à la base de la clé.
2. Insérez la vis et serrez-la fermement avec un tournevis (non fourni).

## RETIRER LE CLIP DE CEINTURE

1. Utilisez un tournevis (non fourni) pour desserrer la vis qui fixe le clip de ceinture à la clé.
2. Retirez la vis et le clip de ceinture.

# UTILISATION

## INSTALLER ET RETIRER UNE DOUILLE (FIG. 7)



**REMARQUE : La bague de friction, aide à empêcher la douille à se désengager du carré conducteur de la clé à chocs pendant le fonctionnement.**

Utilisez toujours la bonne taille de douille pour les boulons et les écrous. Une mauvaise douille entraînera un couple de serrage inexact et incohérent et / ou endommagera le boulon ou l'écrou.

1. Verrouillez la gâchette en plaçant le sélecteur de sens de rotation en position OFF (centre).
2. Pour installer la douille, enfoncez-la sur le carré conducteur de l'outil jusqu'à ce qu'elle se verrouille dans le logement.
3. Pour retirer la douille, tirez-la simplement.

## INSTALLATION DE FIXATIONS

**AVIS:** Gardez toujours la clé à chocs à angle droit par rapport à l'attache pour éviter d'endommager la tête de l'attache.

Pour serrer:

1. Commencez à enfiler la fixation à la main ou dans son homologue fileté (par exemple, écrou sur une tige fileté ou un boulon dans un trou taraudé).
2. La douille à chocs appropriée étant solidement fixée à la clé à chocs, faites glisser la douille sur l'écrou ou la tête du boulon.

3. Placez le sélecteur de sens de rotation en position HORAIRE et sélectionnez une vitesse appropriée ou la fonction d'arrêt automatique. Tenez fermement l'outil tout en appuyant sur la gâchette. La douille à chocs fera tourner l'attache et l'action d'impact commencera lorsque l'attache rencontrera une résistance.

Pour desserrer:

1. La douille à chocs appropriée étant solidement fixée à la clé, faites glisser la douille à chocs sur la tête du boulon.
2. Placez le sélecteur de sens de rotation en position ANTI HORAIRE. Tenez fermement l'outil tout en appuyant sur la gâchette. L'outil commencera à avoir un impact immédiatement.
3. Une fois que l'attache s'est «libérée», elle commencera à se dévisser. Veillez à ne pas permettre à une attache de tourner librement une fois qu'elle n'est plus engagée avec son homologue fileté, car elle pourrait être projetée hors de la douille.

## CONSEILS

Le couple de serrage approprié peut différer selon le type ou la taille du boulon, le matériau de la pièce à fixer, etc.

**REMARQUE :** Tenez l'outil droit le long de l'axe du boulon ou de l'écrou.

**REMARQUE :** Un couple de serrage excessif peut endommager le boulon / l'écrou ou la douille. Avant de commencer votre travail, effectuez toujours une opération de test pour déterminer le temps de fixation approprié pour votre boulon ou écrou.

Entraînez-vous avec diverses fixations, en notant la durée nécessaire pour atteindre le couple souhaité. Contrôlez le serrage avec une clé dynamométrique. Si les attaches sont trop serrées, réduisez le temps d'impact. S'ils ne sont pas suffisamment serrés, augmentez le temps d'impact.

## UTILISATION

Tenez fermement l'outil et placez la douille sur le boulon ou l'écrou. Allumez l'outil et serrez le boulon ou l'écrou au couple approprié. Le couple requis pour desserrer une attache représente en moyenne 75% à 80% du couple de serrage, selon l'état des surfaces en contact. Cependant, si la rouille ou la corrosion provoque un grippage, un couple plus important peut être nécessaire.

Après la fixation, contrôlez toujours le couple avec une clé dynamométrique. Le couple de serrage est affecté par une grande variété de facteurs, notamment:

- La douille

Le fait de ne pas utiliser la douille de taille correcte entraînera une réduction du couple de serrage. Une douille usée (usure à l'extrémité hexagonale ou à l'extrémité du carré conducteur) entraînera une réduction du couple de serrage.

- Le boulon

Bien que le coefficient de couple et la classe de boulon puissent être les mêmes, le couple de serrage approprié diffère en fonction du diamètre du boulon.

Même si les diamètres des boulons sont les mêmes, le couple de serrage approprié diffère selon le coefficient de couple, la classe de boulon et la longueur du boulon.

- Les accessoires

L'utilisation d'un cardan universel ou d'une rallonge (tous deux vendus séparément) réduira quelque peu la force de fixation de la clé à chocs. Compensez en serrant un peu plus longtemps.

- La technique

La manière de tenir l'outil ou le matériau à fixer affectera le couple.

### ⚠ AVERTISSEMENT:

Portez toujours des lunettes de sécurité ou des lunettes de sécurité avec protections latérales pendant l'utilisation de l'outil électrique ou lorsque vous soufflez de la poussière. Si le fonctionnement génère de la poussière, portez également un masque anti-poussière.

### ⚠ AVERTISSEMENT:

ne laissez en aucun cas des liquides de frein, de l'essence, des produits à base de pétrole, des huiles pénétrantes, etc. entrer en contact avec des pièces en plastique. Les produits chimiques peuvent endommager, affaiblir ou détruire le plastique, ce qui peut entraîner des blessures graves.

## UTILISATION

### 1. Procédure de recharge

La batterie est fournie partiellement chargée. Pour garantir les meilleures performances de la batterie, chargez-la entièrement dans le chargeur avant la première utilisation.

Un bloc-batterie DB1850 entièrement déchargé prendra environ 50 minutes à recharger pour dans des températures de 0°C à 40°C.

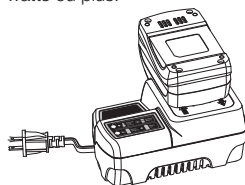
1. Chargez le bloc-batterie Lithium-Ion avec le chargeur adéquat.
2. Connectez le chargeur à l'alimentation.
3. Alignez la nervure en saillie du bloc-batterie sur la rainure dans le chargeur.
4. Glissez le bloc-batterie dans le chargeur
5. Le chargeur communiquera avec le bloc-batterie pour évaluer l'état de ce dernier.

6. Les indicateurs de charge LED clignoteront de droite à gauche pendant le chargement. Ceci fait partie du processus normal de charge.

7. Une fois le processus de charge terminé, l'indicateur LED vert restera allumé et les indicateurs de charge LED s'allumeront lorsque le bouton power est appuyé et la batterie est sur le chargeur.

8. Le bloc-batterie chargera entièrement s'il reste sur le chargeur, mais il ne surchargera pas.

**NOTE :** Pour votre confort, le chargeur peut fonctionner avec la plupart des générateurs et onduleurs de 300 watts ou plus.



## ENTRETIEN

L'outil peut être nettoyé le plus efficacement possible avec de l'air sec comprimé. Portez toujours des lunettes de sécurité lorsque vous nettoyez les outils à l'air comprimé.

Évitez d'utiliser des solvants lors du nettoyage des pièces en plastique. La plupart des plastiques sont susceptibles d'être endommagés par divers types de solvants commerciaux et peuvent être endommagés par leur utilisation. Utilisez des chiffons propres pour enlever la saleté, la poussière, l'huile, la graisse, etc.

3. Vérifiez qu'il n'y a pas de vis desserrées, de mauvais alignement ou de grippage des pièces mobiles ou toute autre condition pouvant affecter le fonctionnement.

4. En cas de vibrations ou de bruits anormaux, éteignez immédiatement l'outil et corrigez le problème avant de continuer à l'utiliser.

5. Retirez la batterie de la clé à chocs avant de nettoyer ou d'effectuer tout entretien. L'utilisation d'air comprimé peut être la méthode de nettoyage la plus efficace. Portez toujours des lunettes de sécurité lorsque vous nettoyez les outils à l'air comprimé.

### AVANT CHAQUE UTILISATION

1. Inspectez la clé à chocs, l'interrupteur marche / arrêt et les accessoires pour repérer les éventuels dommages.
2. Recherchez les éventuelles pièces endommagées, manquantes ou usées.

### LUBRIFICATION

Tous les roulements de cet outil sont lubrifiés avec une quantité suffisante de lubrifiant de haute qualité pour la durée de vie de l'unité dans des conditions normales. Par conséquent, aucune lubrification supplémentaire n'est requise.

## ACCESSOIRES

Non

## DEPANNAGE

Problème	CAUSE	SOLUTION
La clé à chocs ne fonctionne pas	La batterie est vide	Chargez la batterie
La clé à chocs ne fonctionne pas et la lampe LED clignote	L'outil est en surchauffe	Laissez refroidir l'outil
La clé à chocs ne fonctionne pas et les LED de la batterie clignotent	La batterie est en surchauffe	Laissez refroidir la batterie





## EC DECLARATION OF CONFORMITY

Original Language

Brand Name : Mighty Seven

Serial Number: Please refer to the tool

Cordless Impact Wrench

Item No.:DW-401 (Tool)

to which this declaration applies, complies with these normative documents:

- Machinert Directive : 2006 / 42 / EC
- EMC : 2014 / 30 / EU

and conforms to the following EN standard,

- EN 62841-1-1:2015+AC:2015
- EN 62841-2-2:2014+AC:2015
- EN 55014-1:2017
- EN 55014-2:2015

Battery Charger

Item No.: DB1850 (Battery) DC18A (Charger)

to which this declaration applies, complies with these normative documents:

- LVD : 2014 / 35 / EU
- EMC : 2014 / 30 / EU

and conforms to the following EN standards

- EN 60335-1:2012+A11+A13+A14+A2
- EN 60335-2-29:2004+A2+A11
- EN 55014-1:2017
- EN 61000-3-2:2014
- EN 55014-2:2015
- EN 62233:2008
- EN 61000-3-3:2013

Declared in: Taichung, Taiwan

Dated:2020/07/01

**Signature**

Jay Lin

Declared by: QA Manager



**Manufacturer:**

**Mighty Seven International Co., Ltd.**

No. 70-25, Ching Quang Rd., Wujih Dist.,  
Taichung City, 41466 Taiwan.  
<http://www.mighty-seven.com>

Authorized contact, to compile the technical files :

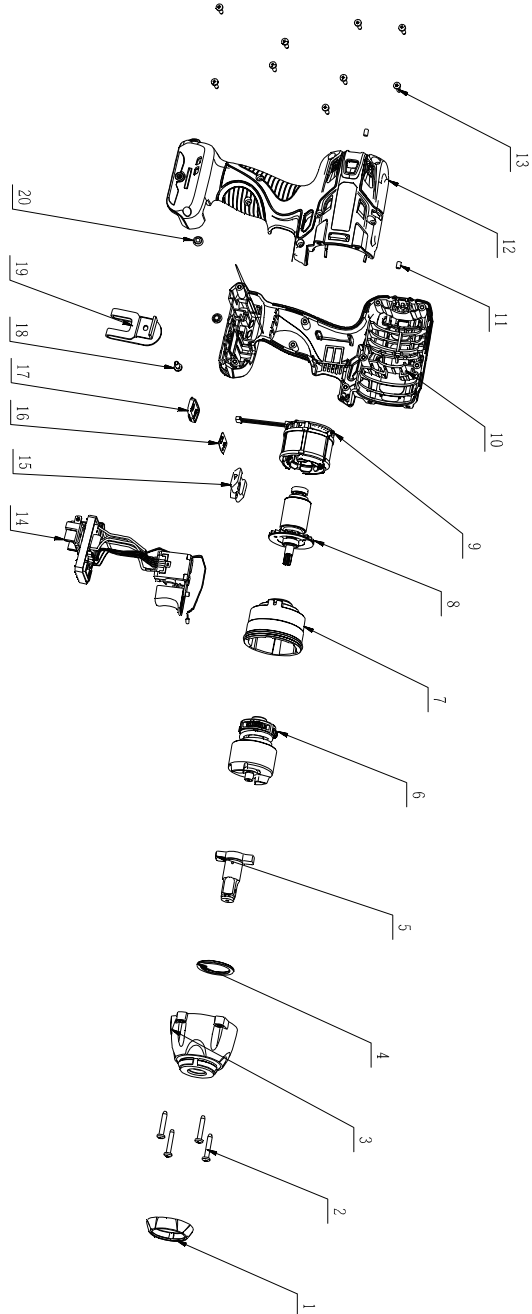
**King Tony France**

3 Rue des imprimeurs ZI République Nord 1.  
86000 POITIERS FRANCE  
TEL: (+33)5-49-30-30-90  
E-MAIL: christian.aubineau@kingtony.eu



# Cordless Impact Wrench

Item No : DW-401



# Part List

Item No : DW-401


NO.	PART NO.	DESCRIPTION	Q'TY
1	DW-401P01	Decorative Cover	1
2	DW-401T02	Tapping Screw(4PCS)	1SET
3	DW-401P03	Front Gear Housing ASSY	1
4	DW-401P04	Washer	1
5	DW-401P05	Output Shaft ASSY	1
6	DW-401P06	Impact Block ASSY	1
7	DW-401P07	Rear Gear Housing ASSY	1
8	DW-401P08	Rotor Assembly	1
9	DW-401P09	Stator	1
10	DW-401P10	Left Housing ASSY	1
11	DW-401T11	Rubber Stick(2PCS)	1SET
12	DW-401P12	Right Housing ASSY	1
13	DW-401T13	Tapping Screw(9PCS)	1SET
14	DW-401P14	Electric Assembly	1
15	DW-401P15	F/R Button	1
16	DW-401P16	Indicator Label	1
17	DW-401P17	Switch Button Cover	1
18	DW-401P18	Screw	1
19	DW-401P19	Hook	1
20	DW-401T20	Nut(2PCS)	1SET

# Carte de garantie

## Garantie limitée du fabricant

**Mighty Seven International Co., LTD.** offre une garantie limitée aux produits fabriqués par **Mighty Seven** et vendus par ses revendeurs agréés dans le monde entier. La garantie limitée s'applique uniquement aux produits dont le matériel et la fabrication sont défectueux et ne s'applique pas aux produits qui ont été malmenés ou mal utilisés. Si un produit **Mighty Seven** est défectueux, veuillez le retourner au revendeur où il a été acheté en précisant vos coordonnées. Les réparations ou les remplacements sont garantis comme décrit ci-dessus; dans le cas contraire, le service de réparation ou de remplacement sera facturé.

## Veuillez conserver cette carte de garantie

Date d'achat	Référence de l'article
Date d'expiration de la garantie	Numéro de série
Tampon du distributeur	
	

Date d'achat :	Référence de l'article :
Date d'expiration de la garantie :	Numéro de série :
Nom :	
Nom de la société :	
Adresse :	
Téléphone :	Fax :
E-mail :	
<b>Secteur d'activité :</b>	
<input type="checkbox"/> Agriculture	<input type="checkbox"/> Réparation de peinture et de carrosserie
<input type="checkbox"/> Réparation automobile générale	<input type="checkbox"/> Travaux publics / Services publics
<input type="checkbox"/> Pneumatiques	<input type="checkbox"/> Usine
<input type="checkbox"/> Entretien / réparation de camions	<input type="checkbox"/> Usage domestique
<input type="checkbox"/> Constructeur automobile	<input type="checkbox"/> Autre

# ALGEMENE VEILIGHEIDSREGELS

## ALGEMENE VEILIGHEIDSWAARSCHUWINGEN VOOR GEREEDSCHAP

### WAARSCHUWING :

Lees alle veiligheids-en  
waarschuwingsinstructies !

Het niet opvolgen van de waarschuwingen en  
instructies kan leiden tot elektrische schokken,  
brand en / of ernstig letsel.

Bewaar alle waarschuwingen en instructies  
voor toekomstig gebruik.

De term "elektrisch gereedschap" in de  
waarschuwingen verwijst naar uw elektrisch  
gereedschap met netvoeding (met snoer) of uw  
elektrisch gereedschap op batterijen (zonder  
snoer).

## VEILIGHEID WERKOMGEVING

1. Houd de werkplek schoon en goed verlicht.  
Rommelige of donkere ruimtes kunnen  
ongelukken veroorzaken.
2. Gebruik geen elektrisch gereedschap in een  
explosieve omgeving, zoals in de aanwezigheid  
van brandbare vloeistoffen, gassen of stof.  
Gereedschappen wekken vonken op die stof of  
dampen kunnen doen ontbranden.
3. Houd kinderen en omstanders uit de buurt  
tijdens het gebruik van elektrisch gereedschap.  
Afleiding kan ertoe leiden dat u de controle  
verliest.

## ELECTRISCHE VEILIGHEID

1. De stekker van het elektrisch gereedschap  
moet in het stopcontact passen. Pas de stekker  
op geen enkele manier aan. Gebruik geen  
adapterstekkers in combinatie met geaard  
elektrisch gereedschap. Ongewijzigde stekkers  
en bijpassende stopcontacten verminderen het  
risico op elektrische schokken.
2. Vermijd lichamelijk contact met geaarde  
oppervlakken zoals leidingen, radiatoren,  
fornuizen en koelkasten. Er is een verhoogd  
risico op elektrische schokken als uw lichaam  
geaard is.
3. Stel elektrisch gereedschap niet bloot aan  
regen of natte omstandigheden. Water dat een  
elektrisch gereedschap binnendringt, verhoogt  
het risico op elektrische schokken.

4. Gebruik de kabel niet verkeerd. Gebruik de  
kabel nooit om te dragen, te trekken of om de  
stekker van het elektrisch gereedschap uit het  
stopcontact te trekken. Houd de aansluitkabel  
uit de buurt van hitte, olie, voorwerpen met  
scherpe randen of bewegende voorwerpen.  
Beschadigde of verwarde aansluitkabels  
vergroten het risico op een elektrische schok.
5. Als u elektrisch gereedschap buiten gebruikt,  
gebruik dan een aangepast verlengsnoer.  
Gebruik van een snoer dat geschikt is voor  
buitengebruik verkleint het risico op elektrische  
schokken.
6. Als elektrisch gereedschap gebruiken in een  
vochtige omgeving onvermijdelijk is, gebruik  
dan een aardlekschakelaar (RCD) beveiligde  
voeding. Gebruik van een aardlekschakelaar  
vermindert het risico op elektrische schokken.

## PERSOONLIJKE VEILIGHEID

1. Blijf alert, let op wat u doet en gebruik uw  
gezond verstand bij het gebruik van een  
elektrisch gereedschap. Gebruik het apparaat  
niet als u moe bent of onder invloed bent van  
drugs, alcohol of medicijnen. Een moment van  
onoplettendheid tijdens het gebruik van  
elektrisch gereedschap kan leiden tot ernstig  
persoonlijk letsel.
2. Gebruik persoonlijke beschermingsmiddelen.  
Draag altijd oogbescherming. Beschermende  
uitrustingen zoals een stofmasker, antislip-  
schoenen, een veiligheidshelm of  
gehoorbescherming, gebruikt onder de juiste  
omstandigheden, vermindert persoonlijk letsel.
3. Voorkom onbedoeld starten. Zorg ervoor dat  
de schakelaar in de uit-stand staat voordat u het  
apparaat aansluit op een stroombron en / of  
accu, oppakt of draagt. Het dragen van  
elektrisch gereedschap met uw vinger op de  
schakelaar of het aansluiten van elektrisch  
gereedschap dat is ingeschakeld, kan tot  
ongelukken leiden.
4. Verwijder alle afstelsleutels of moersleutels  
voordat u het elektrisch gereedschap aanzet.  
Een sleutel of een sleutel die aan een draaiend  
deel van het elektrisch gereedschap is  
bevestigd, kan persoonlijk letsel veroorzaken.
5. Vermijd elke anormale positie. Zorg dat u altijd  
stevig staat en in evenwicht blijft. Dit zorgt voor  
een betere controle van het elektrisch gereed-  
schap in onverwachte situaties.

## ALGEMENE VEILIGHEIDSREGELS

6. Draag aangepaste kleding. Draag geen losse kleding of sieraden. Houd haar, kleding en handschoenen uit de buurt van bewegende onderdelen. Loshangende kleding, sieraden of lang haar kunnen tussen de bewegende onderdelen verstrikt raken.

7. Als er apparaten zijn meegeleverd voor het aansluiten van stofafzuig- en opvangvoorzieningen, zorg er dan voor dat deze zijn aangesloten en correct worden gebruikt. Het gebruik van deze apparaten kan stofgerelateerde gevaren verminderen.

### GEbruIK EN ONDERHOUD VAN ELEKTRISCH GEREEDSCHAP

1. Forceer het elektrisch gereedschap niet. Gebruik het juiste elektrisch gereedschap voor uw werkzaamheden. Het juiste elektrisch gereedschap zal het werk beter en veiliger doen in het tempo waarvoor het is ontworpen.

2. Gebruik het elektrisch gereedschap niet als de schakelaar aan/uit niet functioneert. Elk elektrisch gereedschap dat niet met de schakelaar kan worden bediend, is gevaarlijk en moet worden gerepareerd.

3. Haal de stekker uit het stopcontact en / of de accu uit het elektrisch gereedschap voordat u afstellingen maakt, accessoires verwisselt of het elektrisch gereedschap opbergt. Dergelijke preventieve veiligheidsmaatregelen verminderen het risico dat het elektrisch gereedschap per ongeluk wordt gestart.

4. Bewaar elektrisch gereedschap dat niet in gebruik is, buiten het bereik van kinderen en laat personen die niet bekend zijn met het elektrisch gereedschap of met deze instructies, niet met het elektrisch gereedschap werken. Elektrisch gereedschap is gevaarlijk in handen van ongetrainde gebruikers

5. Onderhoud elektrisch gereedschap. Controleer of bewegende onderdelen goed uitgelijnd of vastzitten, of er geen onderdelen gebroken zijn en alle andere omstandigheden die de werking van het elektrisch gereedschap kunnen beïnvloeden. Laat het elektrisch gereedschap voor gebruik repareren als het beschadigd is. Veel ongevallen worden veroorzaakt door slecht onderhouden van elektrisch gereedschap.

6. Houd snijgereedschap scherp en schoon. Goed onderhouden snijgereedschap met scherpe snijranden lopen minder snel vast en zijn gemakkelijker te bedienen.

7. Gebruik het elektrisch gereedschap, de accessoires, de gereedschapsbits enz. In overeenstemming met deze instructies, rekening houdend met de arbeidsomstandigheden en de uit te voeren werkzaamheden. Het gebruik van het elektrisch gereedschap voor andere werkzaamheden dan waarvoor het bedoeld is, kan tot gevaarlijke situaties leiden.

### GEbruIK EN ONDERHOUD VAN DE BATTERIJ

1. Laad alleen op met de oplader die door de fabrikant is gespecificeerd. Een oplader die geschikt is voor een bepaald type accu, kan brandgevaar opleveren bij gebruik met een andere accu.

2. Gebruik elektrisch gereedschap alleen met speciaal daarvoor bestemde accupacks. Het gebruik van andere accu's kan leiden tot letsel en brand.

3. Houd de accu uit de buurt als u deze niet gebruikt van andere metalen voorwerpen, zoals paperclips, munten, sleutels, spijkers, schroeven of andere kleine metalen voorwerpen die een verbinding kunnen maken vanaf één terminal naar een ander. Kortsluiting van de accupolen samen kunnen brandwonden of brand veroorzaken.

4. Onder zware omstandigheden kan vloeistof uit de batterij spatten; Vermijd contact. Als er per ongeluk contact optreedt, spoel dan met water. Als er vloeistof in de ogen komt, zoek dan ook medische hulp. Vloeistof die uit de batterij komt, kan irritatie of brandwonden veroorzaken.

### KLANTENDIENST

1. Laat uw elektrisch gereedschap repareren door een gekwalificeerde reparateur en alleen met identieke vervangende onderdelen. Dit zorgt ervoor dat de veiligheid van het elektrisch gereedschap behouden blijft.

## VEILIGHEIDSINSTRUCTIES

Het doel van de veiligheidssymbolen is uw aandacht te vestigen op eventuele gevaren. De veiligheidssymbolen en -verklaringen die daarbij horen verdienen uw aandacht en begrip. Waarschuwingen door symbolen op zich sluiten geen gevaar uit. De instructies en waarschuwingen die zij geven vervangen niet de juiste maatregelen ter voorkoming van ongevallen.

### **WAARSCHUWING :**

Zorg ervoor dat u alle veiligheidsinstructies in deze handleiding, inclusief alle veiligheidswaarschuwingssymbolen zoals "GEVAAR", "WAARSCHUWING" en "VOORZICHTIG", hebt gelezen en begrepen. Het niet opvolgen van alle onderstaande instructies kan elektrische schokken, brand en / of ernstig letsel met zich mee brengen.

---

## BETEKENIS VAN DE SYMBOLEN



### **VEILIGHEIDSWAARSCHUWINGSSYMBOLEN :**

Geeft een GEVAAR, een WAARSCHUWING of een PREVENTIE aan.

Kan tegelijkertijd met andere symbolen of pictogrammen gebruikt worden.

### **GEVAAR :**

Geeft een dreigende gevaarlijke situatie aan die, als deze niet wordt vermeden, de dood of ernstige verwondingen tot gevolg zal hebben.

### **WAARSCHUWING :**

Geeft een mogelijk gevaarlijke situatie aan die, indien deze niet wordt vermeden, kan leiden tot de dood of ernstig letsel.

### **VOORZICHTIG :**

Geeft een mogelijk gevaarlijke situatie aan die, indien deze niet vermeden wordt, kan leiden tot lichte of matige verwondingen.




### **NOTA:**

(zonder veiligheidswaarschuwingssymbool): geeft een situatie aan die kan leiden tot materiële schade.

## BEWAAR DEZE INSTRUCTIES !

## VEILIGHEIDSSYMBOLEN

Bepaalde van de hieronder volgende symbolen kunnen gebruikt worden op dit gereedschap. Kijk ernaar en leer wat ze betekenen. Een juiste interpretatie van deze symbolen zal u in staat stellen het gereedschap efficiënter en veiliger te gebruiken.

Symbol	Naam	Aanduiding / Toelichting
V	Volt	Elektrische spanning
A	Amper	Elektrische stroomintensiteit
Hz	Hertz	Herhalingsnelheid (cycli per seconde)
W	Watt	Kracht
~	Wisselstroom	Soort stroom
≡	Gelijkstroom	Type of kenmerk van de stroom
$n_0$	Onbelaste snelheid	Onbelaste rotatiesnelheid
lbs	Pond	Gewicht
	Klasse II constructie	Dubbel geïsoleerde constructie
.../min	Per/minuut	Toeren, slagen, banen enz..., per minuut
	Draag een veiligheidsbril	<div style="border: 1px solid black; padding: 2px; display: inline-block;"> <b>WAARSCHUWING :</b></div> <p>Bij het gebruik van elektrisch gereedschap kunnen er vreemde voorwerpen in uw ogen springen, wat ernstig oogletsel kan veroorzaken.</p> <p>Draag altijd een gewone veiligheidsbril of een veiligheidsbril met zijbescherming en, indien nodig, een volledig gelaatsscherm, voordat u met het gebruik van elektrisch gereedschap begint.</p> <p>Wij raden een veiligheidsmasker met breed zicht aan voor gebruik op een bril of een standaard veiligheidsbril met zijbeschermingen.</p> <p>Gebruik altijd een gemarkeerde oogbescherming conform ANSI Z87.1.</p>

### **WAARSCHUWING :**

Om veiligheid en betrouwbaarheid te garanderen, moeten alle reparaties worden uitgevoerd door een gekwalificeerde servicetechnicus.



## SPECIFIEKE VEILIGHEIDSREGELS

### SPECIFIEKE VEILIGHEIDSREGELS VOOR SLAGMOERSLEUTELS

1. Houd het elektrische gereedschap vast aan de geïsoleerde grijpvlakken wanneer u een handeling uitvoert waarbij het de bit in aanraking kan komen met verborgen bedradingen of met zijn eigen snoer. Als een snoer in contact komt met een draad die onder spanning staat, kunnen blootliggende metalen delen van het elektrische gereedschap onder spanning komen te staan en kan de gebruiker een elektrische schok krijgen.

2. Gebruik alleen de hieronder vermelde laders en batterijen:

Accu	Oplader
DB-1850	DC-18A

3. Draag altijd een veiligheidsbril en gehoorbescherming wanneer u dit gereedschap gebruikt.

4. Zorg ervoor dat de schakelaar in de uit-stand staat voordat u de accu plaatst. Het plaatsen van de accu in elektrisch gereedschap met de schakelaar op "aan" kan ongelukken veroorzaken.

5. Controleer de impactdop zorgvuldig op slijtage, scheuren of beschadigingen voordat u deze installeert.

6. Bit, doppen en gereedschappen worden heet tijdens het gebruik. Draag handschoenen wanneer u ze na gebruik aanraakt.

7. Verwijder de accu voordat u accessoires verwisselt. Het kan per ongeluk worden gestart, omdat accu-apparaten met een geplaatste accu in permanente werkende staat verkeren.

### WAARSCHUWING:

Sommige stofdeeltjes die ontstaan bij elektrisch schuren, zagen, slijpen, boren en andere bouwactiviteiten bevatten chemicaliën waarvan bekend is dat ze kanker, geboortefwijkingen of andere reproductieve schade veroorzaken. Enkele voorbeelden van deze chemicaliën zijn:

- Lood van verf op loodbasis
- Kristallijn silica van bakstenen en cement en andere metselproducten
- Arseen en chroom van chemisch behandeld timmerhout.

Uw risico van deze blootstellingen varieert, afhankelijk van hoe vaak u dit soort werk doet. Om de blootstelling aan deze chemicaliën te verminderen: werk in een goed geventileerde ruimte en werk met een goedgekeurde veiligheidsuitrusting, zoals stofmaskers die speciaal zijn ontworpen om microscopisch kleine deeltjes uit te filteren.

## VEILIGHEIDSRREGELS VOOR DE OPLADER

1. Voordat u de batterijlader gebruikt, dient u alle instructies en waarschuwingen in deze handleiding, op de batterijlader, de batterij en het product te lezen om misbruik van de producten en eventuele verwondingen of schade te voorkomen.

### VOORZICHTIG:

Om het risico van elektrische schokken of schade aan de oplader en de batterij te verkleinen, laadt u alleen oplaadbare lithium-ionbatterijen op zoals specifiek vermeld op het label van de oplader. Andere soorten batterijen kunnen barsten, hetgeen persoonlijk letsel of schade teweeg kan brengen.

2. Gebruik de oplader niet buitenshuis en stel hem niet bloot aan natte of vochtige omstandigheden. Water dat de oplader binnendringt, verhoogt het risico op elektrische schokken.

3. Het gebruik van een accessoire dat niet aanbevolen of verkocht wordt door de fabrikant van de batterijlader kan brand, een elektrische schok of lichamelijk letsel veroorzaken.

4. Maak geen misbruik van het snoer of de oplader. Gebruik nooit het snoer om de oplader te dragen. Trek niet aan het snoer van de oplader om de stekker uit het stopcontact te halen. Er kan schade aan het snoer of de oplader optreden en gevaar voor elektrische schokken veroorzaken. Vervang beschadigde snoeren onmiddellijk.

5. Zorg ervoor dat het snoer zo is geplaatst dat er niet op getrapt, erover gestruikeld wordt of in contact kan komen met scherpe randen of bewegende delen, of op een andere manier onderworpen is aan schade of spanning. Dit verkleint het risico van per ongeluk vallen, wat kan verwonden en schade aan het snoer kan veroorzaken, hetgeen een elektrische schok met zich mee kan brengen.

6. Bescherm het snoer en de oplader tegen hitte om schade aan de behuizing of de interne onderdelen te voorkomen.

7. Voorkom dat benzine, oliën, producten op basis van aardolie enz. in contact komen met plastic onderdelen. Deze materialen bevatten chemicaliën die plastic kunnen beschadigen, verzwakken of vernietigen.

8. Een verlengsnoer mag alleen worden gebruikt als dit absoluut noodzakelijk is. Gebruik van een ongepast verlengsnoer kan leiden tot een risico op brand en elektrische schokken. Als er een verlengsnoer moet worden gebruikt, zorg er dan voor dat:

de snoerstekker hetzelfde aantal pinnen heeft als die van de oplader en dat zijn pinnen dezelfde vorm en grootte hebben.

de snoer goed bedraad en elektrisch in goede staat is

de maat groot genoeg is voor de nominale intensiteit van de oplader zoals hieronder vermeld :

De lengte van het snoer (ft)	25' 50' 100'
Maat van het snoer (AWG)	16'

**OPMERKING :** AWG = American Wire Gauge

9. Gebruik de lader niet met een beschadigd snoer of stekker, dit zou kortsluiting en een elektrische schok kunnen veroorzaken. Als de lader beschadigd is, laat het dan repareren of vervangen door een bij de klantenservice erkende technicus.

10. Gebruik de lader niet als deze een heftige stoot heeft ondervonden, als het gevallen of beschadigd is op welke manier dan ook. Breng het dan naar een erkende technicus van de klantenservice voor een elektrische controle om na te gaan of de lader in goede functionele staat verkeerd.

11. Demonteer de lader niet. Breng het naar een erkende technicus van een klantenservice als onderhoud of reparatie nodig is. Onjuiste montage kan een elektrische schok of brand met zich mee brengen.

12. Trek de stekker uit het stopcontact voor elk onderhoud of reiniging om het risico op elektrische schokken te verminderen.

13. Haal de stekker van de lader uit het stopcontact als u de lader niet gebruikt. Dit verkleint het risico op een elektrische schok of beschadiging van de lader als metalen voorwerpen in de opening vallen. Dat vermijdt ook dat de lader beschadigd wordt tijdens een stroompiek.

14. Risico op een elektrische schokken. Raak niet het niet-geïsoleerde gedeelte van de uitgangsconnector of de niet-geïsoleerde accupool aan.

15. Bewaar deze instructies. Raadpleeg ze vaak en gebruik ze om andere gebruikers over dit apparaat te informeren. Als u dit gereedschap aan iemand uitleent, leen hen dan ook deze instructies om slecht gebruik van het gereedschap te voorkomen.

### WAARSCHUWING :

Bepaald stof dat ontstaat door snijden met een machine bevat chemicaliën die kanker, geboortefwijkingen of andere problemen ten aanzien van de voortplanting kunnen veroorzaken. Hier zijn enkele voorbeelden van deze chemicaliën :

■ lood uit op lood gebaseerde verf

■ Arseen en chroom uit chemisch reagerend hout.

Het risico op deze blootstellingen is afhankelijk van hoe vaak u dit soort werk doet. Om de blootstelling aan deze chemicaliën te verminderen: werk in een goed geventileerde ruimte en werk met goedgekeurde veiligheidsuitrusting.

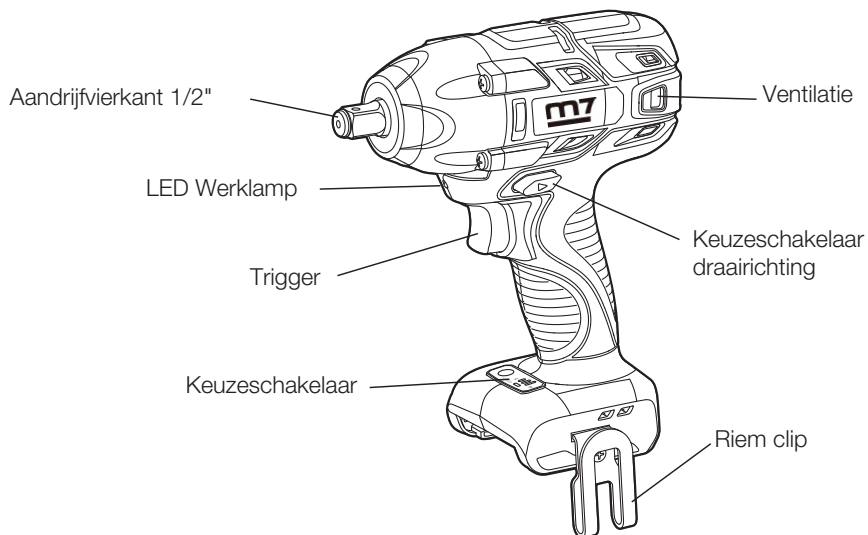
## GEREEDSCHAPSBESCHRIJVING

### BEDIENINGSCONTROLE



Dit gereedschap is ontworpen voor het vast- en losdraaien van bouten en moeren.

### 1. ALGEMEEN SCHEMA



## 2. KENMERKEN GEREEDSCHAP

Model	DW-401
Vierkantaandrijver	1/2" (12.7mm)
Maat bouten	M6 ~ M16
Batterij	Li-ion
Max. koppel	813 Nm / 600 ft-lb
Gewicht	1.48kg
Toegestaan temperatuurbereik (°C)	0-40

### OPMERKING:

Vanwege het constante ontwikkelingsprogramma dat door **m7** wordt uitgevoerd, kunnen de hier vermelde specificaties zonder voorafgaande kennisgeving worden gewijzigd.

## SPECIFICATIES

Onbelaste rotatiesnelheid	I:0-1100 RPM II:0-1600 RPM III:0-2200 RPM
Aantal slagen	I:0-1500 IPM II:0-2500 IPM III:0-3000 IPM
Koppel	I: 200 ft.lb    271 <b>Nm</b> II: 400 ft.lb    542 <b>Nm</b> III: 600 ft.lb    813 <b>Nm</b>
Koppelmodus "Auto-stop"	I: 80 ft.lb    108 <b>Nm</b> II: 120 ft.lb    163 <b>Nm</b> III: 160 ft.lb    217 <b>Nm</b>

Geluidsdruk (dBA)

Geluidsdruk (onzekerheid K = 3 dB (A))

98 dBA

Geluidsvermogensniveau (onzekerheid K = 3 dB (A))



109 dBA

Trillingsniveau (m/s<sup>2</sup>)

(onzekerheid K = 1.5 m/s<sup>2</sup>)

18.2 m/s<sup>2</sup>

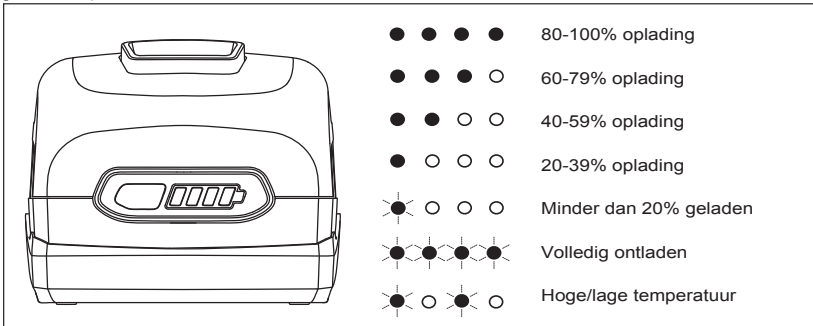
## 2. LED FUNKTIES VAN DE OPLADER

LED INDICATOR	ACCU	RODE LED	GROENE LED	ACTIE
HI/LO TEMP. (zie handleiding)	 BATTERIJ KOUD/WARM	AAN	UIT	Het opladen begint zodra de temperatuur tussen 5°C en 40°C is.
 BATTERIJ DEFECT	DEFECT	KNIPPERT	UIT	Accu of oplader is defect
BATTERIJ LAADT OP	LAADT OP	UIT	KNIPPERT	Laadt op
BATTERIJ OPGELADEN	VOLLEDIG OPGELADEN	UIT	AAN	Het opladen is beëindigd

## 3. POWER BAR

Deze lithium-ionbatterij is uitgerust met een POWER BAR, die wordt gebruikt om de resterende autonomie van de batterij aan te geven. Druk op de POWER BAR-knop om de LED-indicatoren weer te geven. De LED-lampjes blijven ongeveer 4 seconden branden.

**OPMERKING :** DE POWER BAR kan gebruikt worden als de batterij bevestigd is op of verwijderd is uit het gereedschap.



## 4. INDICATOR LAGE BATTERIJCAPACITEIT

- Als de LED werklampen op de POWER BAR snel en aanhoudend knipperen, terwijl de trigger op het gereedschap is ingedrukt, dan is de accu leeg en moet deze opgeladen worden.
- In tegenstelling tot andere soorten batterijen, bieden de lithium-ion batterijen een vermogen zonder hun kracht te verminderen tijdens de hele tijd van het functioneren. Het gereedschap ondergaat geen langzame en geleidelijke krachtvermindering terwijl u aan het werkt bent. Om aan te geven dat de batterij bijna leeg is en opnieuw geladen moet worden, zal de kracht van het gereedschap plotseling afnemen. Op de POWER BAR zullen vier LED lampjes gaan knipperen als het gereedschap volledig ontladen is. Verwijder het gereedschap van het werkstuk en laadt de accu opnieuw op als dit nodig is.

**OPMERKING :** De POWER BAR kan ook vier knipperende LED lampjes laten branden als er sprake is van overbelasting of een hoge temperatuur.

## 5. WANNEER EEN BATTERIJ OPLADEN

De lithium-ion batterij kan op elk moment opgeladen worden en ontwikkelt geen "geheugen" als hij opgeladen is na een gedeeltelijke ontlading. Het is niet nodig om de batterij volledig te ontladen voordat u deze opnieuw oplaadt. Haal de batterij uit het gereedschap, wanneer het u het beste uitkomt.

Gebruik de POWER BAR om te vast te stellen wanneer u de batterij opnieuw op moet laden.

U kunt uw batterij opnieuw opladen voordat u er gedurende lange tijd mee gaat werken.

## MONTAGE

### ⚠ WAARSCHUWING :

Als een onderdeel kapot is of ontbreekt, probeer dan NIET om de accu te bevestigen of het gereedschap te gebruiken totdat het kapotte of ontbrekende onderdeel is vervangen. Als u dit niet doet, zou dit tot ernstig letsel kunnen leiden.

### ⚠ WAARSCHUWING :

Probeer dit gereedschap niet aan te passen of accessoires te maken die niet worden aanbevolen voor dit gereedschap. Elke dergelijke wijziging of aanpassing is misbruik en kan leiden tot een gevaarlijke situatie hetgeen ernstig letsel kan veroorzaken.

### ⚠ WAARSCHUWING :

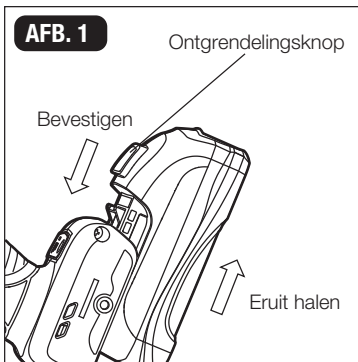
Uw gereedschap mag nooit worden aangesloten op de stroombron wanneer u onderdelen monteert, aanpassingen aanbrengt, accessoires installeert of verwijdert, u het gereedschap reinigt of wanneer het niet wordt gebruikt. Door het gereedschap los te koppelen, wordt onbedoeld starten voorkomen, wat ernstig persoonlijk letsel kan veroorzaken.

## UITPAKKEN

1. Haal het gereedschap en eventuele accessoires voorzichtig uit de doos. Controleer of alle items op de paklijst aanwezig zijn.
2. Inspecteer het gereedschap zorgvuldig om er zeker van te zijn dat er geen breuk of schade is opgetreden tijdens het transport.
3. Gooi het verpakkingsmateriaal pas weg als u het gereedschap zorgvuldig heeft geïnspecteerd en naar tevredenheid heeft gebruikt

## MONTAGE

### BEVESTIGEN VAN DE ACCU (AFB.1)



1. Zorg ervoor dat het gereedschap uitgeschakeld is.

2. Lijn de verhoogde lip op de accu uit met de groeven aan de onderkant van het gereedschap en bevestig de accu vervolgens op het gereedschap.

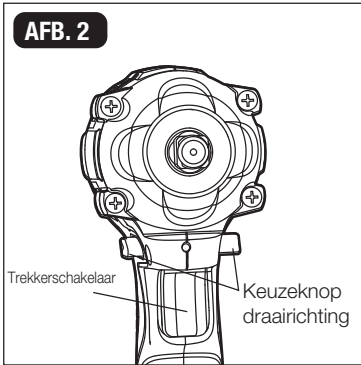
**OPMERKING : Zorg ervoor dat de vergrendeling op de accu vastklikt en de accu vóór gebruik goed aan het gereedschap is bevestigd.**

### HET VERWIJDEREN VAN DE BATTERIJ (AFB.1)

1. Zorg ervoor dat het gereedschap is uitgeschakeld
2. Druk de ontgrendelingsknop van de batterij aan de voorkant van de batterij in om de batterij te ontgrendelen.
3. Trek de batterij eruit en verwijder deze uit het gereedschap.

# BEDIENING

## TREKKERSCHAKELAAR (AFB.2)

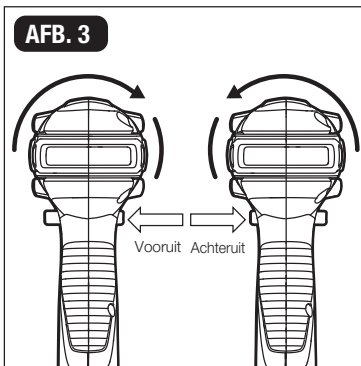


1. Om de slagmoersleutel in te schakelen, drukt u op de trekverschakelaar.
2. Laat de trekverschakelaar los om het uit te schakelen.

## VARIABELE SNELHEID

De trekverschakelaar met variabele snelheid levert een hogere snelheid met een hogere trekkerdruk en een lagere snelheid met een lagere trekkerdruk.

## KEUZESCHAKELAAR VOOR DRAAIRICHTING (VOORUIT / MIDDENVERGRENDLING / ACHTERUIT) (AFB.3)

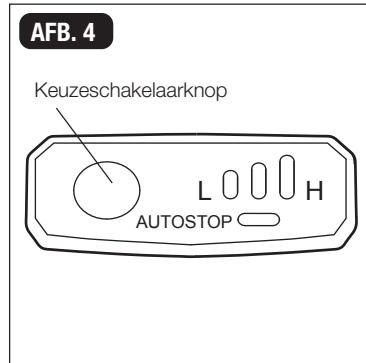


De draairichting is omkeerbaar en wordt gecontroleerd door een keuzeschakelaar boven de trekverschakelaar. Met de slagmoersleutel in de normale werkpositie: plaats de keuzeschakelaar voor de draairichting links van het gereedschap voor voorwaartse rotatie. Plaats de keuzeschakelaar voor de draairichting rechts van het gereedschap voor omgekeerde rotatie. Door de schakelaar in de stand UIT (middenvergrendeling) te zetten, wordt de kans op onbedoeld starten verkleind wanneer het gereedschap niet wordt gebruikt.

**OPMERKING :** Om schade aan het tandwiel te voorkomen, dient u de slagmoersleutel altijd volledig tot stilstand te laten komen voordat u de draairichting verandert.

**OPMERKING :** De slagmoersleutel werkt niet tenzij de richting van de rotatieschakelaar volledig naar links of rechts is ingeschakeld.

## KEUZESCHAKELAAR (AFB.4)



**OPMERKING :**  
De slagmoersleutel is ontworpen met functies voor 3 snelheden en automatische stop, maar de functies zijn alleen beschikbaar wanneer het gereedschap in voorwaartse rotatie werkt.

**OPMERKING :** De modus kan alleen worden gewijzigd als het modusindicatielampje brandt. Het modus-indicatielampje gaat automatisch uit nadat ongeveer een minuut is verstreken.

### **WAARSCHUWING:**

Als u de automatische uitschakelmodus gebruikt, haalt u de trekker slechts één keer over. Als u nogmaals op de trekker drukt, wordt het nieuw toegepaste koppelpaars opgeteld bij het eerder toegepaste koppelpaars, waardoor de bout / moer mogelijk beschadigd raakt.

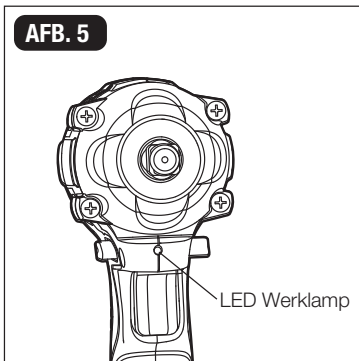
## BEDIENING

1. Bevestig de accu aan de slagmoersleutel.
2. Plaats de keuzeschakelaar voor de draairichting links van het gereedschap voor voorwaartse rotatie en druk op de trekkerschakelaar om het modusindicatielampje in te schakelen.
3. Druk op de modusselectieknop; de snelheid verandert in drie stappen: laag, gemiddeld en hoog. Houd de moduskeuzeknop drie seconden ingedrukt: de auto-stopmodus is beschikbaar en de auto-stop-indicator brandt. Als de bout / moer voldoende is aangedraaid, stopt het gereedschap de impact en rotatie na ongeveer een seconde.
4. Om de automatische stopfunctie uit te schakelen, houdt u de modusselectieknop drie seconden ingedrukt: de automatische stop wordt uitgeschakeld.

### ELECTRISCHE REM

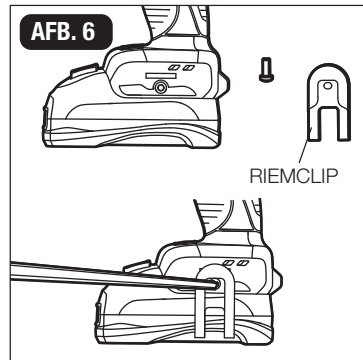
De slagmoersleutel is uitgerust met een elektrische rem. Wanneer de trekkerschakelaar wordt losgelaten, wordt de elektrische rem automatisch ingeschakeld om de rotatie snel te stoppen.

### LED-WERKLAMP (AFB.5)



De LED-werklamp, die zich op de basis van de slagmoersleutel bevindt, gaat branden wanneer de trekkerschakelaar wordt ingedrukt. Dit zorgt voor extra licht op het oppervlak van het werkstuk voor gebruik in gebieden met weinig licht. Het licht gaat automatisch uit binnen 10 seconden na het loslaten van de knop.

### DE RIEMCLIP INSTALLEREN (AFB.6)



1. Lijn de ribbel van de riemclip uit met het gat aan de onderkant van de sleutel.
2. Plaats de schroef en draai de schroef stevig vast met een schroevendraaier (apart verkrijgbaar).

### DE RIEMCLIP VERWIJDEREN

1. Gebruik een schroevendraaier (apart verkrijgbaar) om de schroef los te draaien waarmee de riemclip aan de sleutel is bevestigd.
2. verwijder de schroef en de riemclip.



## BEDIENING

### INSTALLEREN EN VERWIJDEREN VAN DE DOP (AFB.7)



**LET OP: De wrijvingsring, met een zekere plasticiteit en sterkte, helpt te voorkomen dat de dop tijdens het gebruik losraakt van de uitgaande aandrijving van de slagmoersleutel.**

Gebruik altijd de juiste maat dopsleutel voor bouten en moeren. Een verkeerde dop leidt tot een onnauwkeurig en inconsistent aandraaimoment en / of schade aan de bout of moer.

1. Vergrendel de trekkerschakelaar door de keuzeschakelaar voor de draairichting in de stand UIT (midden) te zetten.
2. Om de aansluiting te installeren, drukt u deze op de uitgangsaandrijving van het gereedschap tot hij op zijn plaats vastklikt.
3. Om de dop te verwijderen, trekt u het er gewoon af.

### INSTALLATIE BEVESTIGINGSMIDDELEN

**OPMERKING :** Houd de slagmoersleutel altijd in een rechte hoek ten opzichte van de clip om schade aan de kop van de clip te voorkomen.

Aanspannen:

1. Begin het bevestigingsmiddel met de hand of in zijn tegenstuk met schroefdraad in te schroeven (bijvoorbeeld moer op een draadstang of bout in een getapt gat).
2. Met de juiste slagdop stevig bevestigd aan de slagmoersleutel, schuift u de dop over de moer of boutkop.

3. Zet de draairichtingschakelaar in de KLOK-positie en selecteer een geschikte snelheid of de automatische uitschakelfunctie. Houd het gereedschap stevig vast terwijl u de trekker indrukt. De impacthouder zal de clip draaien en de impactactie zal beginnen wanneer de clip weerstand ondervindt.

Losmaken :

1. Met de juiste slagdop stevig bevestigd aan de sleutel, schuift u de slagdop op de boutkop.
2. Zet de keuzeschakelaar voor de draairichting in de stand ANTI KLOK. Houd het gereedschap stevig vast terwijl u de trekker indrukt. Het gereedschap zal onmiddellijk impact beginnen te krijgen.
3. Als de sluiting eenmaal is "losgebroken", begint hij los te draaien. Pas op dat u een bevestigingsmiddel niet vrij laat ronddraaien als het niet langer vastzit aan zijn tegenstuk met schroefdraad, aangezien het uit de fitting kan springen.

### IMPACT TIPS

Het juiste aanhaalmoment kan verschillen afhankelijk van het type of de maat van de bout, het materiaal van het te bevestigen werkstuk enz.

**LET OP:** Houd het gereedschap recht langs de as van de bout of moer.

**LET OP:** Een te hoog aanhaalmoment kan de bout / moer of dop beschadigen. Voer voordat u met uw werk begint altijd een testbewerking uit om de juiste bevestigingsstijd voor uw bout of moer te bepalen.

Oefen met verschillende bevestigingsmiddelen en let op de tijd die nodig is om het gewenste koppeltje te bereiken. Controleer de spanning met een handmomentsleutel. Als de bevestigingen te strak zitten, verkort dan de impacttijd. Als ze niet strak genoeg zijn, verleng dan de impacttijd.

## BEDIENING

Houd het gereedschap stevig vast en plaats de dop over de bout of moer. Schakel het gereedschap in en draai de bout of moer vast met het juiste aanhaalmoment. Het koppel dat nodig is om een bevestigingsmiddel los te maken, is gemiddeld 75% tot 80% van het aanhaalmoment, afhankelijk van de staat van de contactoppervlakken. Als roest of corrosie echter vastlopen veroorzaakt, is mogelijk een groter aanhaalmoment vereist.

Controleer na het vastzetten altijd het aanhaalmoment met een momentsleutel. Het aanhaalmoment wordt beïnvloed door een groot aantal factoren, waaronder de volgende:

- Dop

Het niet gebruiken van de juiste maat dopsleutel leidt tot een vermindering van het aanhaalmoment. Een versleten dop (slijtage aan het zeskantige uiteinde of vierkante uiteinde) zal een vermindering van het aandraaimoment veroorzaken.

- Bout

Hoewel de koppelcoëfficiënt en de boutklasse hetzelfde kunnen zijn, zal het juiste aanhaalmoment verschillen afhankelijk van de diameter van de bout. Zelfs als de diameters van bouten hetzelfde zijn, zal het juiste aanhaalmoment verschillen afhankelijk van de koppelcoëfficiënt, de boutklasse en de boutlengte.

- Accessoires

Het gebruik van een kruiskoppeling of een verlengstuk (beide apart verkrijgbaar) zal de bevestigingskracht van de slagmoersleutel enigszins verminderen. Compenseer door langere tijd te bevestigen.

- Techniek

De manier waarop het gereedschap of het vast te zetten materiaal wordt vastgehouden, heeft invloed op het koppel.

### WAARSCHUWING:

Draag altijd of een klassieke veiligheidsbril of een veiligheidsbril met zijbescherming tijdens werkzaamheden met elektrisch gereedschap of wanneer u stof wegblaast. Draag bij stoffige werkzaamheden ook een stofmasker.

### WAARSCHUWING:

Laat remvloeistoffen, benzine, producten op basis van aardolie, kruipoliën enz. nooit in contact komen met plastic onderdelen. Chemicaliën kunnen plastic beschadigen, verzwakken of vernietigen, wat kan leiden tot ernstig persoonlijk letsel.

## BEDIENING

### 1. ACCU OPLADEN

De batterij wordt gedeeltelijk opgeladen geleverd. Om de volledige capaciteit van de batterij te garanderen, laadt u de batterij eerst volledig op in de batterijlader voor het eerste gebruik.

Een volledig ontladen accu laadt de DB1850 in 50 minuten op bij een omgevingstemperatuur tussen 0 ° C (32 ° F) en 40 ° C (104 ° F).

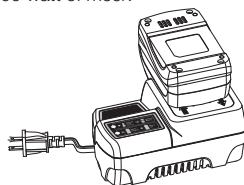
1. Laad de lithium-ionbatterij op met de juiste oplader
2. Sluit de oplader aan op een stopcontact
3. Lijn de opstaande ribben van de accu uit met de sleuf in de oplader
4. Schuif de accu op de oplader
5. De oplader zal communiceren met de accu om de toestand van de accu te evalueren.

6. De LED-oplaadindicatoren knipperen van rechts naar links tijdens het opladen. Dit maakt deel uit van het normale oplaadproces.

7. Wanneer het laadproces is voltooid, blijft de groene LED-indicator branden en gaan de LED-oplaadindicatoren branden wanneer de aan / uit-knop wordt ingedrukt en de batterij op de oplader zit.

8. De accu wordt volledig opgeladen als hij op de oplader blijft, maar hij zal niet overladen.

**OPMERKING:** Voor uw gemak kan de oplader werken met de meeste generatoren en omvormers van 300 watt of meer.



## ONDERHOUD

Het gereedschap kan het meest effectief worden gereinigd met droge perslucht. Draag altijd een veiligheidsbril bij het reinigen van gereedschap met perslucht.

Gebruik geen oplosmiddelen bij het reinigen van plastic onderdelen. De meeste kunststoffen zijn vatbaar voor schade door verschillende soorten commerciële oplosmiddelen en kunnen door hun gebruik worden beschadigd. Gebruik schone doeken om vuil, stof, olie, vet enz. te verwijderen.

3. Controleer op losse schroeven, verkeerde uitlijningen of vastlopen van bewegende onderdelen of andere omstandigheden die de werking kunnen beïnvloeden.
4. Als abnormale trillingen of geluiden optreden, schakel het gereedschap dan onmiddellijk uit en laat het probleem verhelpen voordat u het verder gebruikt.
5. Koppel de batterij los van de slagmoersleutel voordat u deze reinigt of enig onderhoud uitvoert. Het gebruik van perslucht is misschien wel de meest effectieve reinigingsmethode. Draag altijd een veiligheidsbril bij het schoonmaken met perslucht.

### VOOR ELK GEBRUIK

1. Inspecteer de slagmoersleutel, de aan / uit-schakelaar en de accessoires op beschadiging.
2. Controleer op beschadigde, ontbrekende of versleten onderdelen.

### SMERING

Alle lagers in dit gereedschap worden gesmeerd met een voldoende hoeveelheid hoogwaardig smeermiddel voor de levensduur van dit product onder normale omstandigheden. Daarom is er geen verdere smering nodig.

## ACCESSOIRES

NEE

## PROBLEEMOPLOSSING

PROBLEEM	OORZAAK	OPLOSSING
De slagmoersleutel werkt niet	De accu is leeg	Laad de accu op
De slagmoersleutel werkt niet en de LED-lamp knippert	Het gereedschap is overhit	Laat het gereedschap afkoelen
De slagmoersleutel werkt niet en het LED-lampje van de accu knippert.	De accu is overhit	Laat de accu afkoelen



## EC DECLARATION OF CONFORMITY

Original Language

Brand Name : Mighty Seven

Serial Number: Please refer to the tool

Cordless Impact Wrench

Item No.:DW-401 (Tool)

to which this declaration applies, complies with these normative documents:

- Machinert Directive : 2006 / 42 / EC
- EMC : 2014 / 30 / EU

and conforms to the following EN standard,

- EN 62841-1-1:2015+AC:2015
- EN 62841-2-2:2014+AC:2015
- EN 55014-1:2017
- EN 55014-2:2015

Battery Charger

Item No.: DB1850 (Battery) DC18A (Charger)

to which this declaration applies, complies with these normative documents:

- LVD : 2014 / 35 / EU
- EMC : 2014 / 30 / EU

and conforms to the following EN standards

- EN 60335-1:2012+A11+A13+A14+A2
- EN 60335-2-29:2004+A2+A11
- EN 55014-1:2017
- EN 61000-3-2:2014
- EN 55014-2:2015
- EN 62233:2008
- EN 61000-3-3:2013

Declared in: Taichung, Taiwan

Dated:2020/07/01

**Signature**

Jay Lin

Declared by: QA Manager



**Manufacturer:**

**Mighty Seven International Co., Ltd.**

No. 70-25, Ching Quang Rd., Wujih Dist.,  
Taichung City, 41466 Taiwan.  
<http://www.mighty-seven.com>

Authorized contact, to compile the technical files :

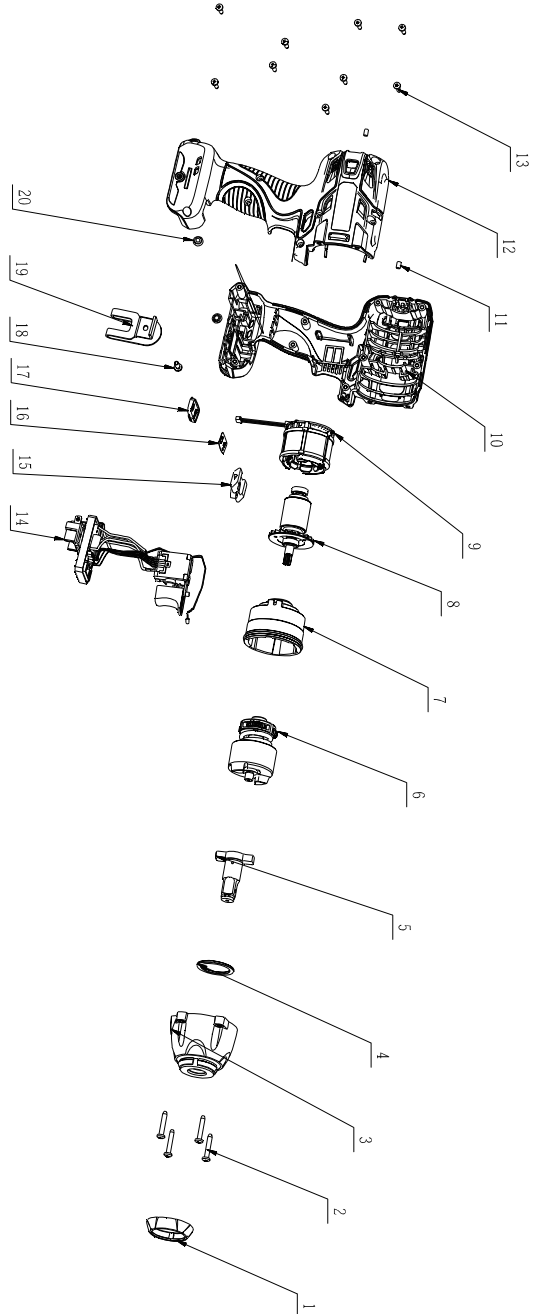
**King Tony France**

3 Rue des imprimeurs ZI République Nord 1.  
86000 POITIERS FRANCE  
TEL: (+33)5-49-30-30-90  
E-MAIL: christian.aubineau@kingtony.eu



# Cordless Impact Wrench

Item No : DW-401



# Part List

Item No : DW-401

NO.	PART NO.	DESCRIPTION	Q'TY
1	DW-401P01	Decorative Cover	1
2	DW-401T02	Tapping Screw(4PCS)	1SET
3	DW-401P03	Front Gear Housing ASSY	1
4	DW-401P04	Washer	1
5	DW-401P05	Output Shaft ASSY	1
6	DW-401P06	Impact Block ASSY	1
7	DW-401P07	Rear Gear Housing ASSY	1
8	DW-401P08	Rotor Assembly	1
9	DW-401P09	Stator	1
10	DW-401P10	Left Housing ASSY	1
11	DW-401T11	Rubber Stick(2PCS)	1SET
12	DW-401P12	Right Housing ASSY	1
13	DW-401T13	Tapping Screw(9PCS)	1SET
14	DW-401P14	Electric Assembly	1
15	DW-401P15	F/R Button	1
16	DW-401P16	Indicator Label	1
17	DW-401P17	Switch Button Cover	1
18	DW-401P18	Screw	1
19	DW-401P19	Hook	1
20	DW-401T20	Nut(2PCS)	1SET

# Garantiebewijs

## Beperkte fabrieksgarantie

**Mighty Seven International Co., LTD.** biedt een beperkte garantie op producten vervaardigd door **Mighty Seven** die over de hele wereld verkocht worden door zijn erkende dealers.

De beperkte garantie is alleen van toepassing op producten waarvan het materiaal en de fabricage defect zijn en is niet van toepassing op producten die misbruikt zijn.

Als een **Mighty Seven**-product defect is, stuur het dan terug naar de dealer waar het is gekocht, onder vermelding van uw contactgegevens.

Reparaties of vervangingen zijn gegarandeerd zoals hierboven beschreven; anders wordt de reparatie- of vervangingservice in rekening gebracht.

## Gelieve dit garantiebewijs bewaren

<b>Aankoopdatum</b>	<b>Artikelnummer</b>
<b>Verlooptdatum garantie</b>	<b>Serienummer</b>
<b>Stempel van de detailhandelaar</b>	
	

Aankoopdatum :	Artikelnummer :
Verlooptdatum garantie :	Serienummer :
Naam :	
Naam van het bedrijf :	
Adres :	
Telefoon :	Fax:
E-Mail:	
<b>Bedrijfssector :</b>	
<input type="checkbox"/> Landbouw	<input type="checkbox"/> Lak-en carrossiereparatie
<input type="checkbox"/> Algemene autoreparatie	<input type="checkbox"/> Openbare werken / Openbare diensten
<input type="checkbox"/> Banden	<input type="checkbox"/> Fabriek
<input type="checkbox"/> Onderhoud/reparatie van vrachtwagens	<input type="checkbox"/> Huishoudelijk gebruik
<input type="checkbox"/> Autofabrikant	<input type="checkbox"/> Overig