

# AIR POWERED CV BOOTS INSTALLATION TOOL

## Operating Instruction

- Step 1: Put the CV boots on the front jaws(1) as show FIG 1 And ensure the jaws hold CV boots firmly.
- Step 2: Press the pressure switch (2), then the front jaws will open to max diameter 110mm. see FIG2
- Step 3:Put the CV boots into the CV joint as FIG 3, then press the release bottom to release the CV booth onto the CV joint. See FIG4 and FIG5.

## Technical details

- CV joint diameter:25-110mm
- Weight:3.25kgs
- Working pressure:5-8 bar(72-113 psi or 5-8kg/m<sup>2</sup>)
- Max. air pressure : 9 bar (125psi or 9 kg/m<sup>2</sup>)
- Air inlet size:1/4" BSP

**Warning : Don't open when the boots didn't put on the jaws.  
Wear eye protector before using.**

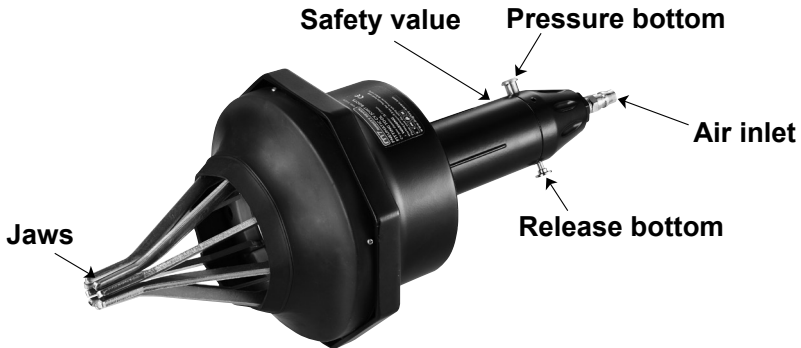


FIG 1



FIG 2



FIG 3



FIG 4



FIG 5

# Ecarteur de soufflets pneumatique

## Guide d'utilisation

Etape 1 : positionner le soufflet sur les griffes (1) comme indiqué sur la FIG1.  
S'assurer que les griffes maintiennent le soufflet fermement.

Etape 2 : Appuyer sur le bouton poussoir (2) et les griffes s'écarteront au diamètre maximum de 110mm (FIG2).

Etape 3 : Positionner le soufflet sur le joint (FIG 3) puis appuyer sur le bouton de relâchement afin de relâcher le soufflet sur le joint (FIG 4 et 5).

## Informations techniques

- Diamètre soufflet : 25-110mm
- Poids : 3.25kg
- Pression d'utilisation : 5-8 bar (72-113 psi ou 5-8 kg/m<sup>2</sup>)
- Pression d'air max : 9 bar (125psi ou 9kg/m<sup>2</sup>)
- Taille entrée d'air : 1/4" BSP

**Attention : ne pas ouvrir les griffes à vide. Protéger les yeux pendant l'utilisation.**

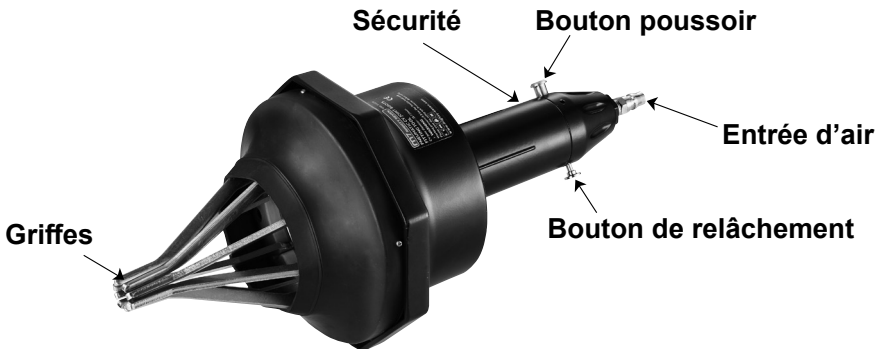


FIG 1



FIG 2



FIG 3



FIG 4



FIG 5

# Pneumatischer Spreizer für Kardan Faltenbälger

## Anleitung

Schritt 1 : stellen Sie sicher, dass die Abzieharme, den Faltenbalg festhalten.

Schritt 2 : drücken Sie auf dem Druckknopf (2). Die Abzieharme werden spreizen mit dem maximalen Durchmesser von 110mm (Bild 2)

Schritt 3 : stellen Sie den Faltenbalg auf den Anschlussstück (Bild 3) und drücken Sie den Abfallknopf, um den Faltenbalg auf dem Anschlussstück zu entspannen (Bild 4 und 5).

## Technische Daten

- Durchmesser von dem Faltenbalg: 25-110 mm
- Gewicht: 3,25 Kg
- Betriebsdruck: 5-8 Bar (72-113 psi ou 5-8 kg/m<sup>2</sup>)
- Luftdruck Maximal : 9 Bar
- Lufteingang : 1/4" BSP

**Vorsicht ! Armen des Abstandshalters nicht öffnen, wenn sie leer sind. Augen schützen während der Benutzung.**

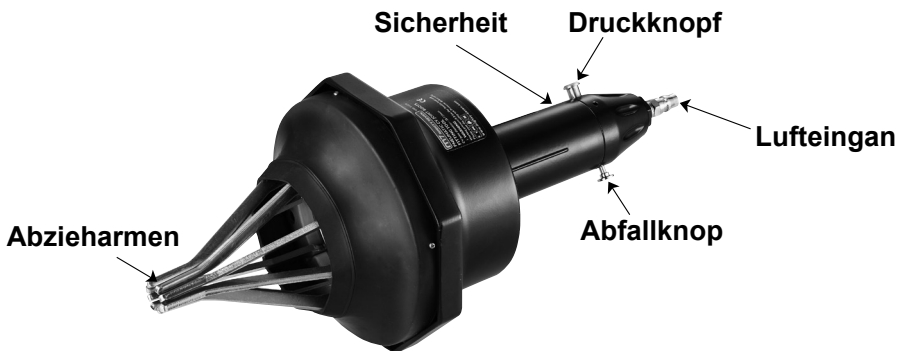


FIG 1



FIG 2



FIG 3



FIG 4



FIG 5

# Herramienta Neumática para Instalación de Funda de Palier

## Instrucciones de Uso

Paso 1: Colocar las mordazas de la herramienta en la funda de palier nueva (figura 1), y asegurar que estén sujetadas de manera firme.

Paso 2: Oprima el botón de funcionamiento (figura 2) y las mordazas se abrirán hasta un diámetro máximo de 110mm expandiendo la funda.

Paso 3: Coloque la funda expandida sobre el palier como se muestra en la (figura 3). Cuando la funda esté correctamente posicionada, presione el botón liberador de presión para que las mordazas retornen a su posición inicial (figura 4), dejando la funda instalada (figura 5).

## Detalles Técnicos:

- Diámetro de junta de palier: 25-110mm
- Peso: 3.25kg
- Presión de trabajo: 5-8 bar (72-113 psi o 5-8 kg/m<sup>2</sup>)
- Presión de aire máxima: 9 bar (125psi o 9 kg/cm<sup>2</sup>)
- Tamaño de toma de aire: 1/4" BSP

**Advertencia: No abrir las mordazas si la funda de palier no está puesta en ellas.**



# Instalador Pneumático para Coifas de Juntas Homocinéticas Automotivas

## Instruções de Uso

- 1 - Posicione a nova coifa sobre as garras do instalador pneumático (figura 01), certificando-se que a mesma não sairá de posição quando as garras forem acionadas.
- 2 - Pressione o gatilho de acionamento (figura 2). As garras do instalador pneumático abrirão até o diâmetro máximo de 110 mm, expandindo a coifa.
- 3 - Instale a coifa expandida sobre a junta homocinética (figura 3). Quando ela estiver corretamente posicionada, aperte o botão liberador de pressão (figura 4) para que as garras retornem a sua posição inicial, instalando a coifa (figura 5).

## Especificações Técnicas:

- Diâmetro de abertura das garras: 25 a 110 mm
- Peso líquido: 3,25 kg
- Pressão de trabalho: 5 a 8 bar (72 a 113 PSI ou 5 a 8 kg/m<sup>2</sup>)
- Máxima pressão suportada: 9 bar (125 PSI ou 9 kg/m<sup>2</sup>)
- Conexão de admissão de ar: 1/4" BSP

**Vorsicht ! Armen des Abstandshalters nicht öffnen, wenn sie leer sind. Augen schützen während der Benutzung.**



FIG 1



FIG 2



FIG 3



FIG 4



FIG 5

Item No.	Capacity	Max Pressure	Air Pressure	Overall Length	Net Weight	Air Hose
	<i>inch</i>	<i>PSI</i>	<i>PSI</i>	<i>inch</i>	<i>LBS</i>	<i>inch</i>
<b>Illustrator</b>						
QM-1125	1" ~ 4-3/8"	125	90	17-3/8"	7.15	3/8"

Référence	Capacité	Pression maximale	Pression	Longueur	Poids	Tuyau d'air
	<i>mm</i>	<i>bar</i>	<i>bar</i>	<i>mm</i>	<i>kg</i>	<i>mm</i>
<b>Illustrator</b>						
QM-1125	25-110	8.6	6.3	442	3.25	10

Artikel-Nr.	Für Nietgröße	Max. Druck	Arbeitsdruck	Gesamtlänge	Nettogewicht	Empf. Luftschlauch
	<i>mm</i>	<i>bar</i>	<i>bar</i>	<i>mm</i>	<i>kg</i>	<i>mm</i>
<b>Illustrator</b>						
QM-1125	25-110	8.6	6.3	442	3.25	10

Modelo	Capacidad de remache	Presión Máxima	Presión de Aire	Longitud Total	Peso Neto	Manguera de Aire
	<i>mm</i>	<i>bar</i>	<i>bar</i>	<i>mm</i>	<i>kg</i>	<i>mm</i>
<b>Illustrator</b>						
QM-1125	25-110	8.6	6.3	442	3.25	10

Código	Espessura dos rebites	Pressão Máxima	Pressão de operação	Comprimento Total	Peso	Diâmetro interno da mangueira
	<i>mm</i>	<i>bar</i>	<i>bar</i>	<i>mm</i>	<i>kg</i>	<i>mm</i>
<b>Illustrator</b>						
QM-1125	25-110	8.6	6.3	442	3.25	10

Арт No.	Возможность	Макс. давление	Рабочее давление воздуха	Общая длина	Вес	Миним. Внутр. Дям. Шланга
	<i>mm</i>	<i>bar</i>	<i>bar</i>	<i>mm</i>	<i>kg</i>	<i>mm</i>
<b>Illustrator</b>						
QM-1125	25-110	8.6	6.3	442	3.25	10



## EC DECLARATION OF CONFORMITY

Original Language



Brand Name: 

Serial Number: Please refer to the tool  
Pneumatic CV Joint Boots Fitting Tool

Item No.: QM-1125

We declare under our own responsibility that the above machinery fulfils all the relevant provisions of (MD) Machinery Directive 2006/42/EC and its amendment and is manufactured and tested according to the following standard

- EN ISO 11148-1 (partly) • EN ISO 11148-10 (partly)
- EN ISO 12100 • EN ISO 15744
- EN ISO 20643+A1

Declared in: Taichung, Taiwan

Date: 2021/07/01

**Signature**



Jay Lin  
Declared by: QA Manager

**Manufacturer:**

**Mighty Seven International Co., Ltd.**  
No. 70-25, Ching Quang RD., Wujih Dist.,  
Taichung City, 41466 Taiwan.  
<http://www.mighty-seven.com>

Authorized contact, to compile the technical files :

Established with the EU

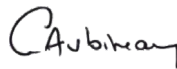
**King Tony Europe**

3 Rue des imprimeurs ZI République Nord 1.

86000 POITIERS FRANCE

TEL: (+33)5-49-30-30-90

E-MAIL: [christian.aubineau@kingtony.eu](mailto:christian.aubineau@kingtony.eu)



Christian Aubineau

General Manager



Original Language

## UK DECLARATION OF CONFORMITY

# UK CA

Brand Name : 

Serial Number : Please refer to the tool

**PNEUMATIC CV JOINT BOOTS FITTING TOOL**

Item No. : QM-1125

We declare under our own responsibility that the above machinery fulfils all the relevant provisions of (UK-MD) Machinery (Safety) Regulations 2008 (S.I. 2008/1597) and its amendment and is manufactured and tested according to the following standard

- BS EN ISO 11148-1:2011 (partly)
- BS EN ISO 12100:2010
- BS EN ISO 20643:2008+A1:2012
- BS EN ISO 11148-10:2011 (partly)
- BS EN ISO 15744:2008

Declared in: Taichung, Taiwan Date:  
2021/07/01

*Manufacturer :*

**Mighty Seven International Co., Ltd.**

No.70-25, Ching Quang Rd., Wujih Dist.,  
Taichung City, 41466 Taiwan  
<http://www.mighty-seven.com>

**Signature**

Jay Lin

Declared by : QA Manager

*Authorized contact to compile the technical file:*

*Established with the EU*

**King Tony Europe**

3 Rue des imprimeurs ZI République Nord 1.  
86000 POITIERS FRANCE  
TEL: (+33)5-49-30-30-90  
E-MAIL: [christian.aubineau@kingtony.eu](mailto:christian.aubineau@kingtony.eu)

General Manager

Christian Aubineau



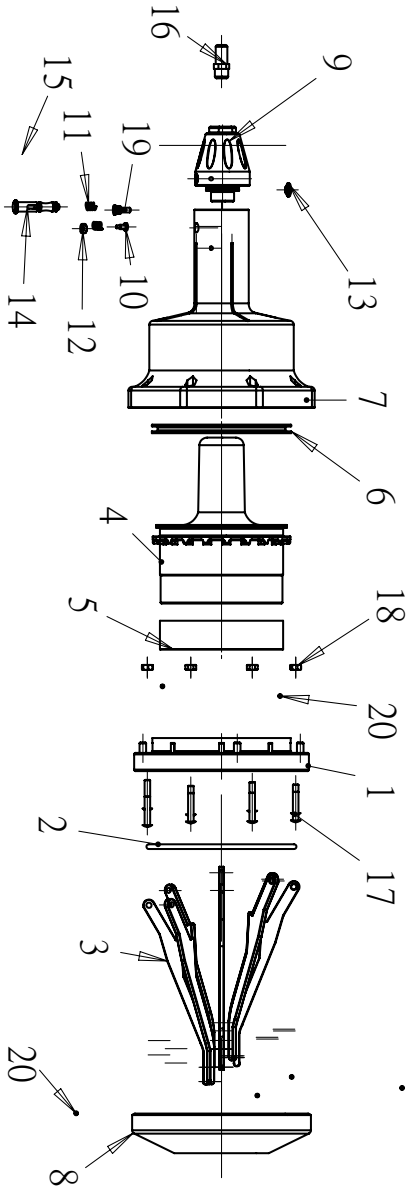


# Part List

Item No : QM-1125



NO.	INDEX NO.	DESCRIPTION	Q'TY
1	QM-1125P01	Jaw Holder	1
2	QM-1125P02	C Ring	1
3	QM-1125T03	Jaw ( 8pcs )	1set
4	QM-1125T04	Piston & Cap (4,5)	1set
6	QM-1125P06	Oil Ring	1
7	QM-1125P07	Body	1
8	QM-1125P08	Rubber Cap	1
9	QM-1125P09	Bottom Nut	1
10	QM-1125P10	Safety Kit	1
11	QM-1125P11	Spring	1
12	QM-1125P12	Safety Cap	1
13	QM-1125P13	Release Cap	1
14	QM-1125P14	Push Button	1
15	QM-1125P15	Pin	1
16	QM-1125P16	Air Input	1
17	QM-1125T17	M7 Screw ( 8pcs )	1set
18	QM-1125T18	Nut ( 8pcs )	1set
19	QM-1125P19	Release Button	1
20	QM-1125T20	Screw ( 6pcs )	1set




# Warranty Card

## Manufacturer's limited warranty

*Mighty Seven International Co., LTD.* offers limited warranty to the products manufactured by *Mighty Seven* and sold by its worldwide authorized dealers. The limited warranty only applies to products that are defective in material and workmanship and does not apply to products which have been abused, misused, service representatives. If there is a defective product of *Mighty Seven*, please send it prepaid to the dealer where it was purchased from along with address and contact information. Repairs or replacements are warranted as described above; otherwise, the service of repairs or replacements will be charged.

## Please Keep This card For Warranty

Date of Purchase	Model No.
warranty Expiration Date:	serial No
Distributor Stamp	
	

Date of Purchase :	Model No :
warranty Expiration Date :	serial No :
Name :	
Company Name :	
Address :	
Tel :	Fax :
E-mail :	
<b>Type of Business:</b>	
<input type="checkbox"/> Agriculture	<input type="checkbox"/> Paint & Body Repair
<input type="checkbox"/> General Auto Repair	<input type="checkbox"/> Public Work/Gov.Utilities
<input type="checkbox"/> Tire	<input type="checkbox"/> Factory
<input type="checkbox"/> Truck Maintenance/Repair	<input type="checkbox"/> Home Use
<input type="checkbox"/> Car Maker	<input type="checkbox"/> Other