

Read this manual carefully before installing , operating, servicing or repairing.

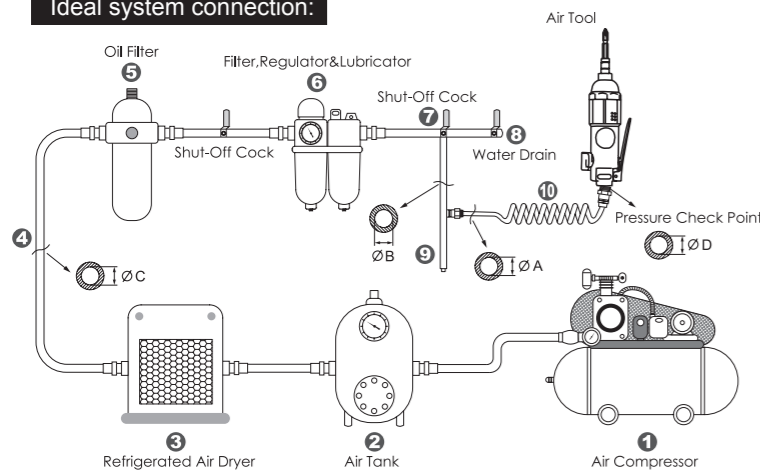
Working environment:

- Using these tools in any potentially explosive environment is strictly prohibited.
- It is always recommended that these types of tools must be operated when standing on a solid or firm location.
- Always use these tools in a well ventilated area.
- Slipping, stumbling and falling are the major causes of potential serious injury, therefore, a clean and clutter free surface in the working area before operating the tools is strongly recommended.

Air supply and connection requirements:

- The maximum recommended air pressure during operation must not exceed 90 psi (6.3bar). Higher air pressure may create unsafe operating conditions for the tool and the user.
- The compressed air should be cooled and have a water filter installed at the outlet end of the compressor. Even with a water filter installed, some water may still condense in the piping or hose and will enter the tool mechanism causing premature damage to the tool. Therefore, it is recommended to install an air filter-lubricator device somewhere between the tool and the compressor.
- Always use an air compressor of the proper capacity to operate each tool.
- Clean the hose with a blast of compressed air before connecting the hose to the air tool. This will prevent both moisture and dust inside the hose from entering the tool and causing possible rust or malfunction.

Ideal system connection:



Piping diameters and length requirement:

The diameter ΦA required for the inlet pipe (10) is recommended on the specification table.
 The diameter ΦB required for the branch pipe (from 7 to 9) should be 2 times as large as ΦA. $\Phi B = 2 \times \Phi A$
 The diameter ΦC required for the primary air supply (from 1 to 3) should be 3 times as large as ΦA. $\Phi C = 3 \times \Phi A$
 The length for the inlet pipe (10) should be less than 15 feet (4.5m).

Part List

Item No : RA-608 RA-618

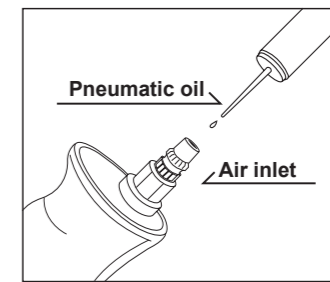
NO.	INDEX NO.	DESCRIPTION	QTY
1	RA-608P01	Retaining Ring (For RA-608 Only)	1
2	RA-608P02	Retaining Washer (For RA-608 Only)	1
3	RA-608P03	Chuck Sleeve Spring (For RA-608 Only)	1
4	RA-608P04	Chuck Sleeve (For RA-608 Only)	1
5	RA-608T05	Cap Bolt (8pcs)	1set
6	RA-608T06	Hammer Case Assembly (06.07.54)	1set
7	-	Anvil Bushing	1
8	RA-608P08	Anvil Spacer	1
9	RA-608P09	Bushing	1
10A	RA-608P10A	1/4" Hex. Anvil (For RA-608 Only)	1
11	RA-608P11	Steel Ball (For RA-608 Only)	1
12	RA-608T12	Spacer (2pcs)	1set
13	RA-608T13	Hammer Pin (2pcs)	1set
14A	RA-608T14A	Hammer Dog (2pcs)	1set
15A	RA-608P15A	Cam	1
16	RA-608P16	Hammer Cage	1
17	RA-608P17	Spacer	1
18	RA-608P18	Gasket	1
19	RA-608P19	Motor Housing	1
20	RA-608P20	Ball Bearing	1
21	RA-608P21	Front Plate	1
22A	RA-608P22A	Rotor	1
23	RA-608T23	Rotor Blade (6pcs)	1set
24	-	Spring Pin (2pcs)	1set
25	RA-608T25	Cylinder Assembly (24,25)	1set
26	RA-608T26	End Plate Assembly (26,27)	1set
27	-	Spring Pin	1
28	RA-608P28	Ball Bearing	1
29	RA-608P29	Gasket	1
30	RA-608T30	Handle Case Assembly (30,34,35,45)	1set
31	RA-608P31	Valve Tappet	1
32	RA-608P32	Reverse Valve	1
33	RA-608T33	O-Ring (3pcs)	1set
34	-	Spring Pin	1
35	-	Reverse Bushing	1
36	RA-608P36	Nylon Ball	1
37	RA-608P37	Ball Bush	1
38	RA-608P38	Spring	1
39	RA-608P39	O-Ring	1
39A	RA-608P39A	O-Ring	1
40	RA-608P40	Spring Seat	1
41	RA-608P41	Reverse Lever	1
42	RA-608P42	Spring Pin	1
43	RA-608P43	Spring	1
44	RA-608P44	Steel Ball	1
45	-	Throttle Bushing	1
46	RA-608P46	Throttle Valve	1
47	RA-608P47	Hanger	1
48	RA-608P48	Spring	1
49	RA-608P49	O-Ring	1
50	RA-608P50	Inlet Bushing	1
51	RA-608T51	Spring Pin (2pcs)	1set
52	RA-608P52	Throttle Lever	1
53	RA-608P53	Steel Ball	1
54	-	O-Ring	1
55	RA-618P55	3/8" Sq. Anvil (For RA-618 Only)	1

Warning:

- This tool should only be used as a hand operated tool. It is powered by compressed air and is not insulated against electric shock.
- This tool is specially designed for tightening or loosening screws. Any application or use of this tool other than what it is designed for is strictly prohibited.
- Use only pneumatic accessories on this tool. Never use hand accessories.
- High sound levels may cause hearing damage. Always wear hearing protection when operating this tool.
- Wearing eye/face protection can reduce the danger of high-speed materials being emitted from this tool during operation.
- User must wear proper clothing. Loose clothing, long hair, stings, straps, belts and jewelry should not be worn when operating this tool.
- Before using this tool, make sure that all couplings and plugs are securely mounted. Air hoses which are under pressure will cause a whipping action when disconnecting, this can lead to serious injury!
- Test run the tool to confirm the rotation direction before practical use. That can reduce the potential hazard due to unexpected rotating direction.
- In case of tool insert failure, keep hands away from rotating bit to reduce the risk of being injured, especially when working in confined spaces.
- Keep body in well-balanced position to counteract the effects of a sudden break of the insert tool during operation.
- Always turn off the air supply and disconnect the air hose before changing driving bit or making adjustments on the tool.
- Release the throttle lever/trigger to avoid danger if there's a failure of energy supply and when connecting or disconnecting the air hose.
- Prolonged use will cause user fatigue. Periodic breaks are recommended for user safety.
- It is recommended to stop operating the tool whenever the user experiences discomfort, tingling or pain during use.
- Beware if the compressed air hose breaks unexpectedly, or is being connected or disconnected improperly. This whipping action may cause injury.
- Always use caution when operating this tool to prevent injury.
- Avoid storing this tool where it is subject to high humidity.

Maintenance:

- Before connecting the air hose to this tool or after operating, apply 4 or 5 drops of pneumatic oil into the air inlet and run it for several seconds, referring this operation to the attached picture.
- Maintain this tool regularly by performing the same oiling application every 3 to 4 hours of operation.
- Do not lubricate tools with flammable or volatile liquids. Use only the lubricant recommended by Mighty-Seven or authorized dealers. Any other lubricant will lead to reduce performance of the tool and permanent damage. Whenever any unauthorized lubricant is used by accident, flush it immediately with recommended pneumatic oil.
- Follow all the recycling laws of waste disposal once this tool is no longer usable



Regular maintenance



EC DECLARATION OF CONFORMITY

Original Language
 Serial Number: Please refer to the tool
 Air Screwdriver
 Item No.: RA-606 RA-616 RA-608 RA-618

We declare under our own responsibility that the above machinery fulfils all the relevant provisions of Machinery Directive 2006/42/EC and its amendment and is manufactured and tested according to the following standards:
 EN 792-6 / EN ISO 15744 / EN 28662-1 and EN ISO 8662-7

Declared in: Taichung, Taiwan
 Dated: 01/01/2010

Signature

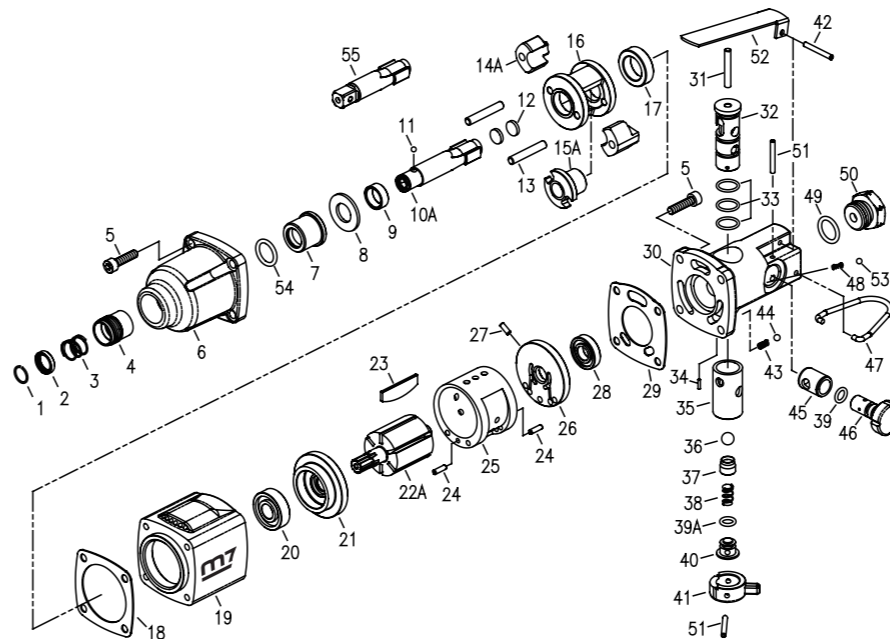
Jonney Chen

Jonney Chen
 Declared by: QA Manager

Manufacturer:
Mighty Seven International Co., Ltd.
 No. 70-25, Ching Qunag Rd., Wu-Jih Shiang,
 Taichung Hsien, 41466 Taiwan
 www.mighty-seven.com



Authorized contact, to compile the technical files :
King Tony France
 3 Rue des imprimeurs ZI République Nord 1.
 86000 POITIERS FRANCE
 TEL : (+33) 5-49-30-30-90
 E-MAIL : christian.aubineau@kingtony.eu



Manufacturer's limited warranty
 Mighty Seven International CO., LTD. offers limited warranty to the products manufactured by **Mighty Seven** and sold by its worldwide authorized dealers. The limited warranty only applies to products that are defective in material and workmanship and does not apply to products which have been abused, misused, modified, or repaired by someone other than **Mighty Seven** or its authorized service representatives. If there is a defective product of **Mighty Seven**, please send it prepaid to the dealer where it was purchased from along with address and contact information. Repairs or replacements are warranted as described above. Please Keep This card For Warranty.

Warranty Card

Distributor Stamp

Warranty Expiration Date : _____

Date of Purchase : _____

Mighty Seven

Model No. : _____

Serial No. : _____

Type of Business :

Agriculture

General Auto Repair

The Factory

Truck/Motortruck/Repair

Car/Motor

Specification of compressor used :

Horsepower : 3 7.5 10 15+ other _____

Tank Size (liter/gal) : 7.5/70 27/160 30/210 44/41/20 other _____

Company Name : _____

Address : _____

Phone : _____

Fax : _____

E-mail : _____

Mighty Seven

Warranty Card

Date of Purchase : _____

Warranty Expiration Date : _____

Name : _____

Model No. : _____

Serial No. : _____

For Distributor